

# **GREAT** **DANE**<sup>TM</sup>

## **Chariot / Chariot LX**



## **ILLUSTRATED PARTS LIST AND TECHNICAL MANUAL**

**⚠ WARNING:** The Engine Exhaust from this product contains chemicals known to the State of California to cause cancer, birth defects or other reproductive harm.

California Proposition 65 Warning

**PCGDU10327J2**

North American Version  
Litho in U.S.A.



# TABLE OF CONTENTS

---

Chariot Frame Assembly .....	2
Chariot LX Frame Assembly .....	4
Chariot Deck Lift Assembly .....	6
Chariot LX Deck Lift Assembly .....	8
Front Caster Assembly .....	10
Console and Control Assembly .....	12
Over the Lap Control Assembly .....	14
Seat and Fuel Tank .....	16
Traction Drive and Brakes .....	18
Hydrostatic Drive System Components .....	20
Hydraulic System Schematic .....	22
Electrical and Related Components .....	24
Wiring Schematic – Carbureted Engines .....	26
Wiring Schematic – 26hp Fuel Injected Engine .....	27
Wiring Schematic – 28hp Fuel Injected Engine .....	28
Engine and Related Components – Kawasaki .....	30
Engine and Related Components – Kohler 25hp .....	32
Engine and Related Components – Kohler 26, 27 and 28hp .....	34
EFI Fuel Delivery System Components .....	36
Cutter Housing Assembly .....	37
48" and 52" Cutting Deck .....	38
61" Cutting Deck .....	40
72" Cutting Deck .....	42
Decals .....	44

All information, illustrations and specifications in this manual are based on the latest information at the time of publication. The right is reserved to make changes at any time without notice.

COPYRIGHT© 2002

Deere & Co.

John Deere Worldwide Commercial and Consumer Equipment Division

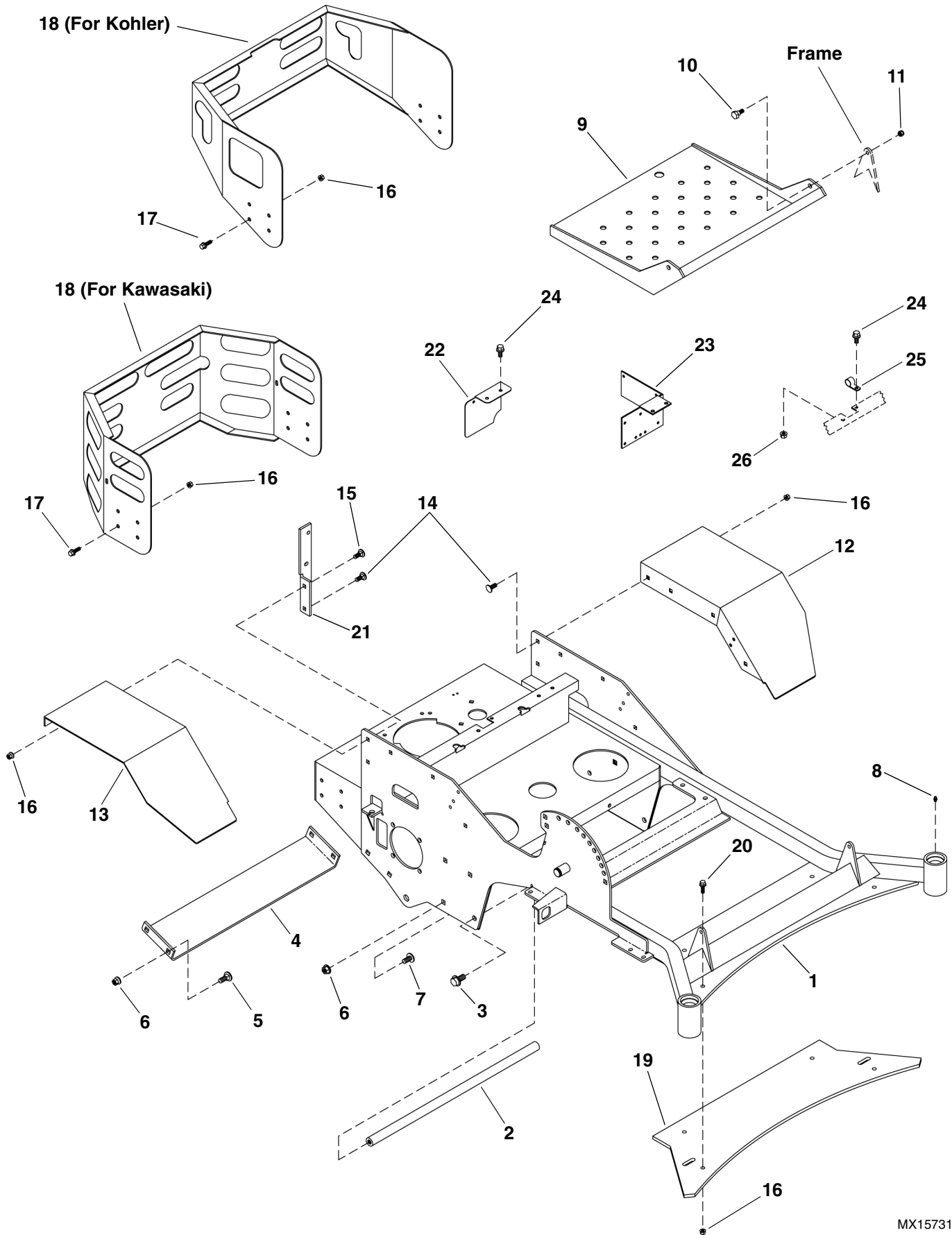
All rights reserved

Previous Editions

COPYRIGHT©

PCGDU10327J2 - English

# CHARIOT FRAME ASSEMBLY



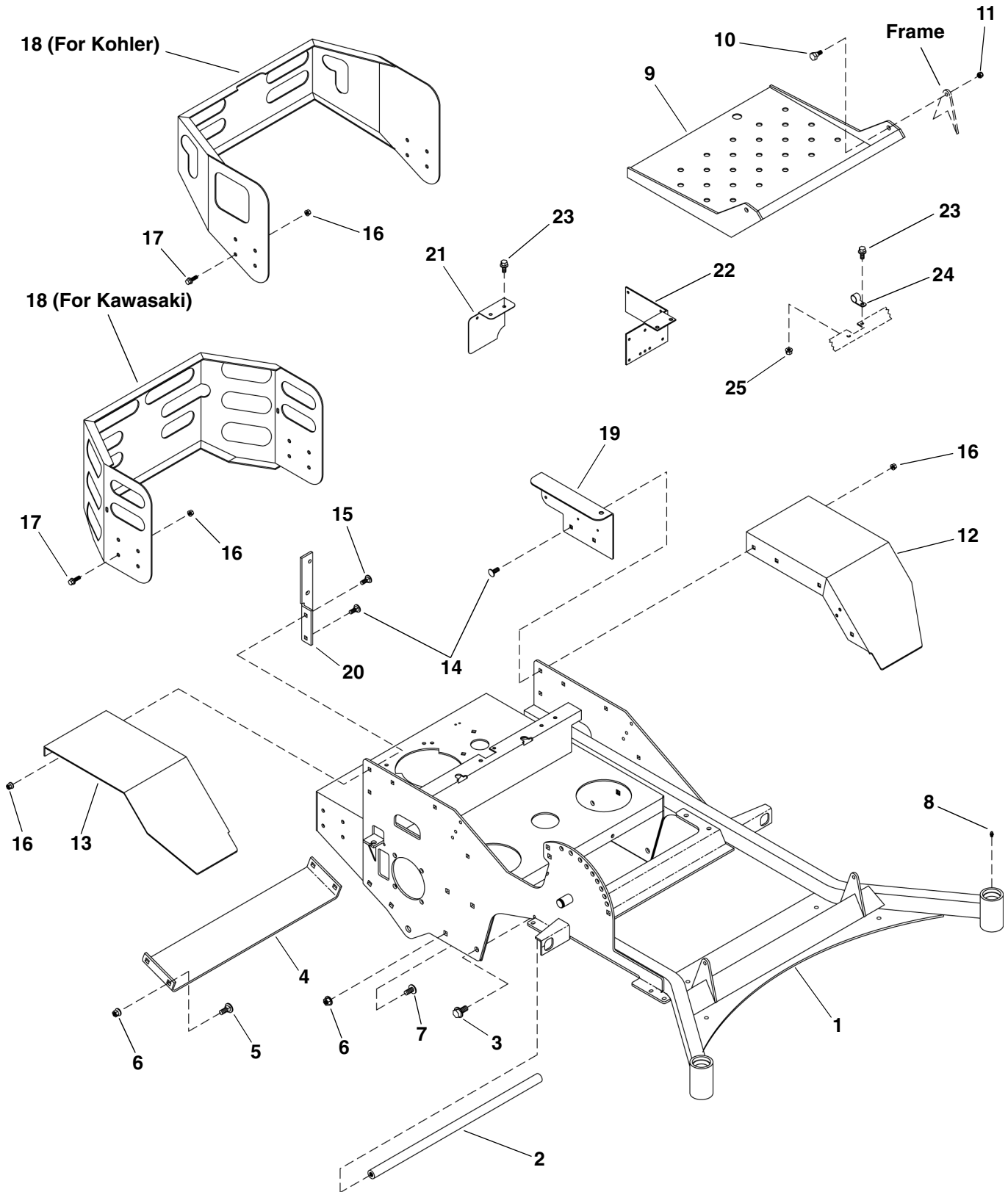
MX15731

# CHARIOT FRAME ASSEMBLY

Ref. No.	Part No.	Description	Qty.
1	GDA10067	Frame, Main	1
2	GDU10124	Tie Bar	1
3	19M8832	Bolt, M14x2.0x30 FHCS	2
4	GDU10222	Plate, Support	1
5	03M7199	Bolt, M12x1.75x30 CHCS	4
6	H137329	Nut, M12x1.75 PTHFN	8
7	03M7197	Bolt, M12x1.75x25 CHCS	4
8	JD7844	Grease Zerk	2
9	D25109	Platform, Foot	1
10	M110977	Bolt, Shoulder 1/2-3/8x16	2
11	D24013	Nut, 3/8-16 Cone Loc	2
12	GDU10165	Fender, LH	1
13	GDU10164	Fender, RH	1
14	03M7017	Bolt, M10x1.5x25 CHCS	7
15	03M7085	Bolt, M10x1.5x30 CHCS	1
16	14M7518	Nut, M10x1.5 PTHFN	21
17	19M7785	Bolt, M10x1.5x25 FHCS	8
18	GDU10188	Bumper (KOHLEER Engines)	1
18	GDU10189	Bumper (KAWASAKI Engines)	1
19	GDU10285	Plate, Weight (Fits with 48" and 52")	1
20	19M7786	Bolt, M10x1.5x30 FHCS	4
21	GDU10184	Bracket, Reservoir Mount	1
22	GDU10170	Bracket, Relay Mount (Non EFI)	1
23	D22297	Bracket, Relay Mount (EFI Only)	1
24	19M7866	Bolt, M8x1.25x20 FHCS	3
25	D28082	R-Clip, Wiring	1
26	14M7396	Nut, M8x1.25 PTHFN	1

## NOTES

# CHARIOT LX FRAME ASSEMBLY



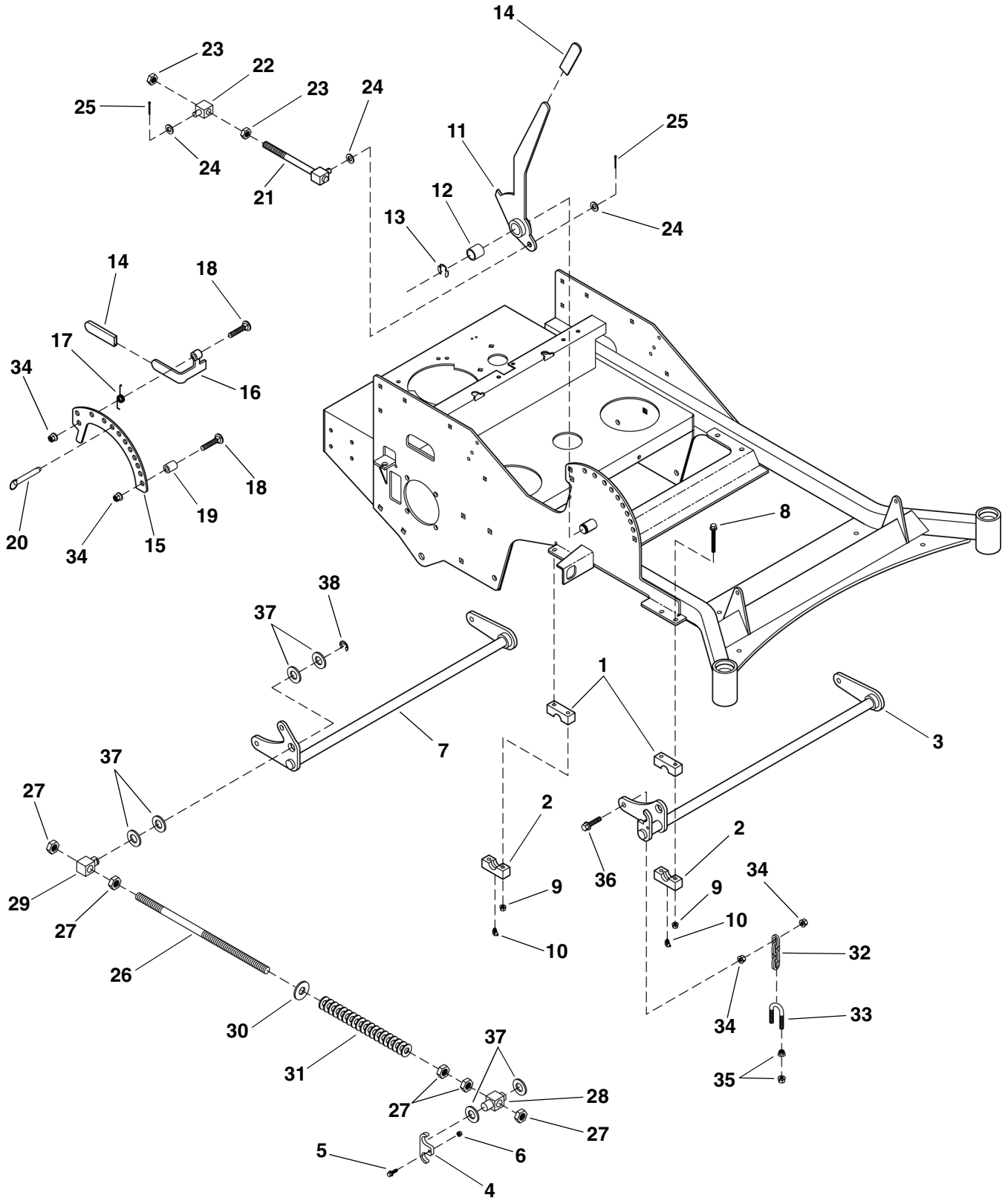
MX15732

## CHARIOT LX FRAME ASSEMBLY

Ref. No.	Part No.	Description	Qty.
1	GDA10087	Frame, Main	1
2	GDU10124	Tie Bar	1
3	19M8832	Bolt, M14x2.0x30 FHCS	2
4	GDU10222	Plate, Support	1
5	03M7199	Bolt, M12x1.75x30 CHCS	4
6	H137329	Nut, M12x1.75 PTHFN	8
7	03M7197	Bolt, M12x1.75x25 CHCS	4
8	JD7844	Grease Zerk	2
9	D25109	Platform, Foot	1
10	M110977	Bolt, Shoulder 1/2-3/8x16	2
11	D24013	Nut, 3/8-16 Cone Loc	2
12	GDU10165	Fender, LH	1
13	GDU10164	Fender, RH	1
14	03M7017	Bolt, M10x1.5x25 CHCS	7
15	03M7085	Bolt, M10x1.5x30 CHCS	1
16	14M7518	Nut, M10x1.5 PTHFN	17
17	19M7785	Bolt, M10x1.5x25 FHCS	8
18	GDU10188	Bumper, (KOHLEER engines)	1
18	GDU10189	Bumper (KAWASAKI engines)	1
19	GDU10163	Bracket, Fuel Pump (EFI Only)	1
20	GDU10184	Bracket, Reservoir Mount	1
21	GDU10170	Bracket, Relay Mount (Non EFI)	1
22	D22297	Bracket, Relay Mount (EFI Only)	1
23	19M7865	Bolt, M8x1.25x20 FHCS	3
24	D28082	R-Clip, Wiring	1
25	14M7396	Nut, M8x1.25 PTHFN	1

### NOTES

# CHARIOT DECK LIFT ASSEMBLY



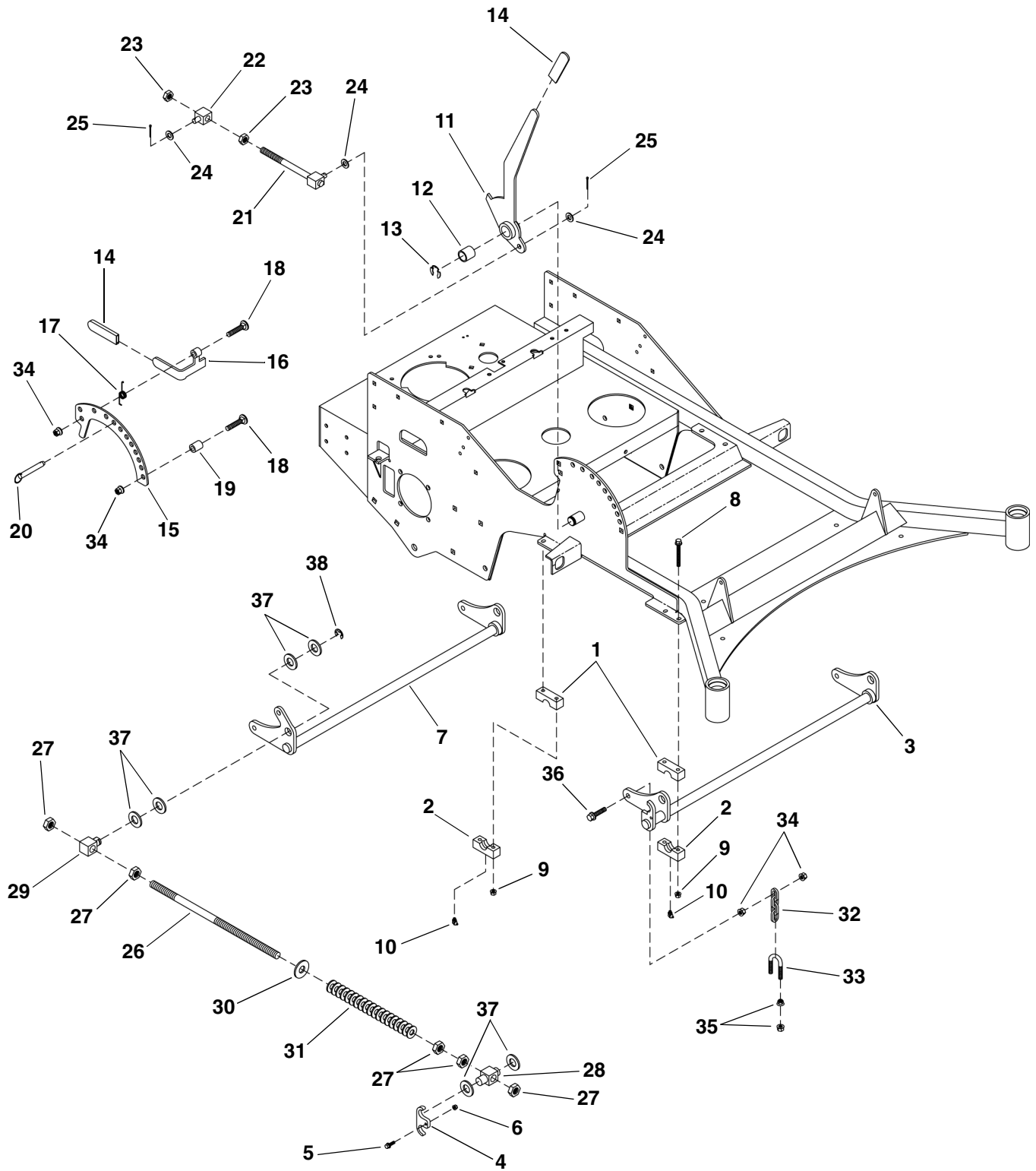
MX15726



## CHARIOT DECK LIFT ASSEMBLY

Ref. No.	Part No.	Description	Qty.
1	TCU13614	Support, Upper Block	4
2	TCU13156	Support, Lower Block	4
3	GDA10093	Arm, Forward Lift Shaft	1
4	GDU10242	Plate, Lift Lock	1
5	19M7796	Bolt, M6x1.0x30 FHCS	1
6	H137327	Nut, M6x1.0 PTHFN	1
7	GDA10092	Arm, Rear Lift Shaft	1
8	19M7803	Bolt, M8x1.25x70 FHCS	8
9	14M7396	Nut, M8x1.25 PTHFN	8
10	JD7806	Grease Zerk	4
11	GDA10101	Lever, HOC Lift	1
12	W10728	Bearing, Lift Lever	1
13	R58806	E-Ring Clip, Lift Lever Swivel	1
14	D18079	Grip, Lift Lever	2
15	GDU10173	Plate, Outer HOC	1
16	TCA13655	Lever, Lift Lock	1
17	TCU17371	Spring, Lift Lock	1
18	03M7204	Bolt, M12x1.75x60 CHCS	3
19	TCU15816	Spacer	2
20	D28155	Pin, HOC Stop	1
21	D25107	Rod, Lift Lever	1
22	D23049	Swivel, Lift Lever	1
23	D24003	Nut, 5/8-11 HHN	2
24	24H1111	Washer, SAE 1/2 Flat	3
25	11M7015	Pin, Cotter	2
26	GDU10162	Rod, Lift Lever	1
27	14H1058	Nut, 3/4-10 HHN	5
28	GDU10238	Swivel, Lift Rod	1
29	TCU13254	Swivel, Lift Rod	1
30	D24043	Washer	1
31	D28200	Spring, Lift Rod	1
32	TCA13510	Chain, Deck Lift	4
33	GDU10048	U-Bolt, Deck Lift	4
34	H137329	Nut, M12x1.75 PTHFN	11
35	D14009	Nut, 3/8-16 SFHN	16
36	19M7813	Bolt, M12x1.75x45 FHCS	4
37	24H1413	Washer, 3/4 Flat	6
38	D14243	E-Ring Clip, Lift Rod Swivel	1

# CHARIOT LX DECK LIFT ASSEMBLY

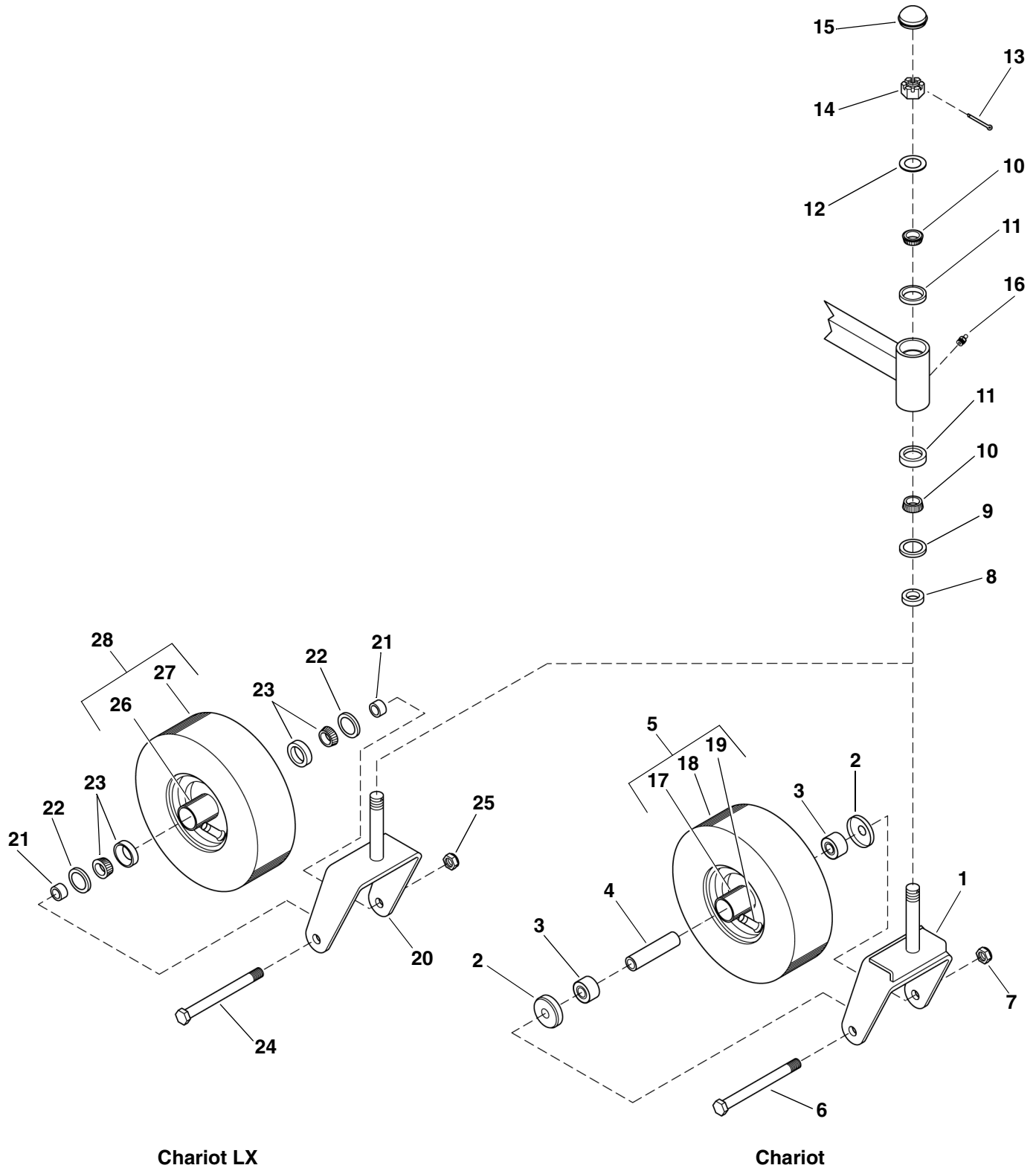


MX15727

## CHARIOT LX DECK LIFT ASSEMBLY

Ref. No.	Part No.	Description	Qty.
1	TCU13614	Support, Upper Block	4
2	TCU13156	Support, Lower Block	4
3	GDA10095	Arm, Forward Lift Shaft	1
4	GDU10242	Plate, Lift Lock	1
5	19M7796	Bolt, M6x1.0x30 FHCS	1
6	H137327	Nut, M6x1.0 PTHFN	1
7	GDA10094	Arm, Rear Lift Shaft	1
8	19M7803	Bolt, M8x1.25x70 FHCS	8
9	14M7396	Nut, M8x1.25 PTHFN	8
10	JD7806	Grease Zerk	4
11	GDA10101	Lever, HOC Lift	1
12	W10728	Bearing, Lift Lever	1
13	R58806	E-Ring Clip, Lift Lever Swivel	1
14	D18079	Grip, Lift Lever	2
15	GDU10173	Plate, Outer HOC	1
16	TCA13655	Lever, Lift Lock	1
17	TCU17371	Spring, Lift Lock	1
18	03M7204	Bolt, M12x1.75x60 CHCS	3
19	TCU15816	Spacer	2
20	D28155	Pin, HOC Stop	1
21	D25107	Rod, Lift Lever	1
22	D23049	Swivel, Lift Lever	1
23	D24003	Nut, 5/8-11 HHN	2
24	24H1111	Washer, SAE 1/2 Flat	3
25	11M7015	Pin, Cotter	2
26	GDU10161	Rod, Lift Lever	2
27	14H1058	Nut, 3/4-10 HHN	10
28	GDU10238	Swivel, Lift Rod	1
29	TCU13254	Swivel, Lift Rod	3
30	D24043	Washer	2
31	D28200	Spring, Lift Rod	2
32	TCA13510	Chain, Deck Lift	4
33	GDU10048	U-Bolt, Deck Lift	4
34	H137329	Nut, M12x1.75 PTHFN	11
35	D14009	Nut, 3/8-16 SFHN	16
36	19M7813	Bolt, M12x1.75x45 FHCS	4
37	24H1413	Washer, 3/4 Flat	14
38	D14243	E-Ring Clip, Lift Rod Swivel	3

# FRONT CASTER ASSEMBLY



MX15720

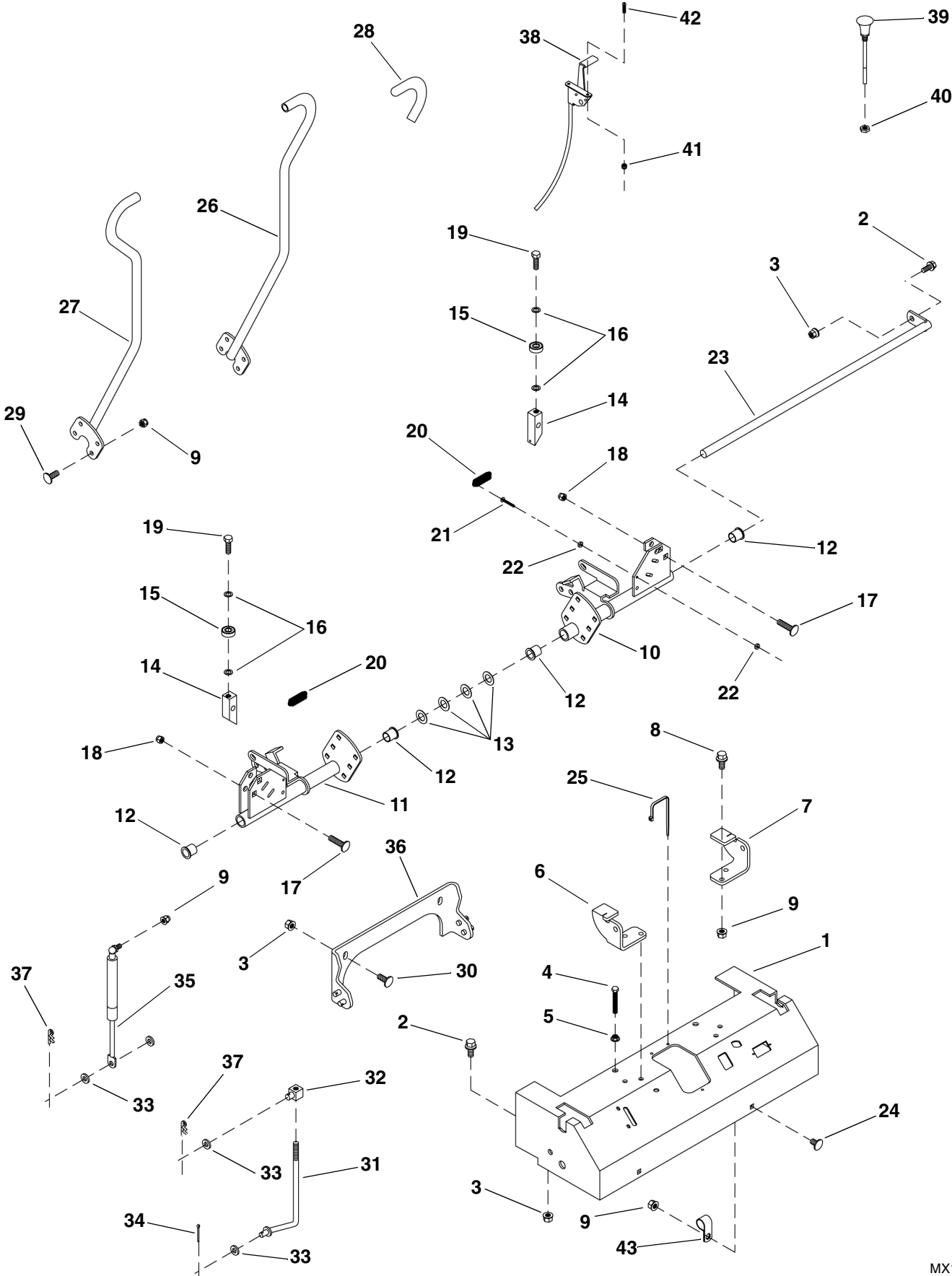
## FRONT CASTER ASSEMBLY

Ref. No.	Part No.	Description	Qty.
1	TCA14382	Yoke, Caster	1
2	TCU14490	Cap, Debris	2
3	AA21480	Ball Bearing, Sealed	2
4	TCU13871	Spacer, Bearing	1
5	TCA13769	Wheel/Tire Assembly, 13" Caster	1
6	19M7978	Caster Bolt, M16x2x190	1
7	14M7276	Nut, M16x2	1
8	TCU17863	Spacer, Caster Bushing	1
9	E14625	Seal	1
10	JD8935	Cone, Bearing	2
11	D28052	Cup, Bearing	2
12	24H180	Machined Bushing	1
13	11M7083	Pin, Cotter	1
14	A12188	Nut, 1-14 Slotted Hex. (Chariot Only)	1
14	14H920	Nut, 1-14 Slotted Hex. (Chariot LX Only)	1
15	M135582	Cap, Bearing	1
16	JD7844	Grease Zerk	1
17	TCU13604	Wheel Rim, 13"	1
18	TCU13605	Tire 13x5.00-5, 4 Ply	1
19	AM30795	Stem, Tire Valve	1
20	D25004	Yoke, Caster (Chariot LX Only)	1
21	D33007	Spacer, Caster Wheel (Chariot LX Only)	2
22	D38065	Seal (Chariot LX Only)	2
23	D38035	Bearing w/Race (Chariot LX Only)	2
24	D28097	Bolt, 3/4-16x8 Caster (Chariot LX Only)	1
25	D24008	Nut, 3/4-16 PTHN (Chariot LX Only)	1
26	REF. NO. 28	Rim, 13" Wheel (Chariot LX Only)	1
27	REF. NO. 28	Tire, 13x5.00-5, 4 Ply (Chariot LX Only)	1
28	D38009	Wheel/Tire Assembly, 13" Caster (Chariot LX Only)	1

**NOTE:** One assembly shown – Two required for each vehicle.

## NOTES

# CONSOLE AND CONTROL ASSEMBLY

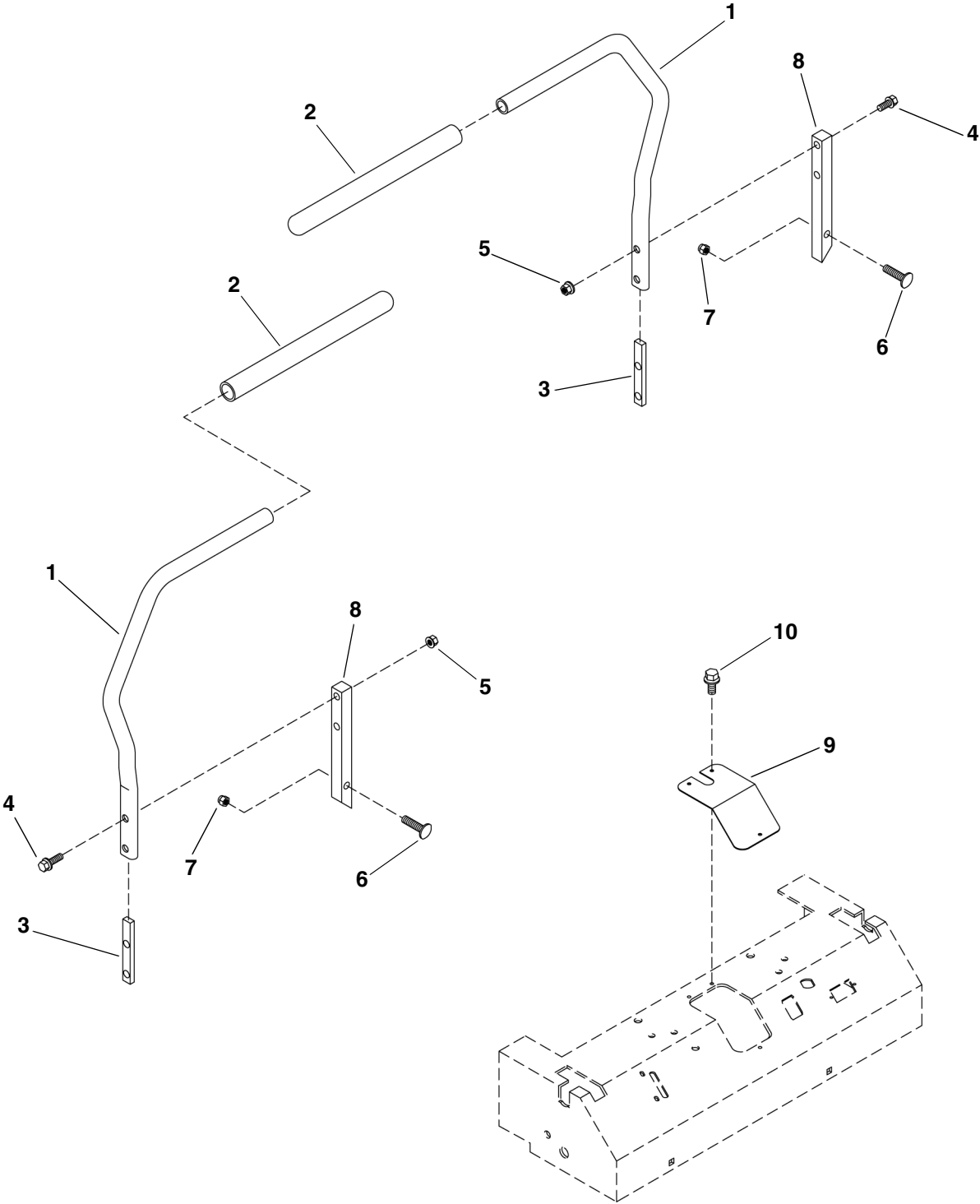


MX15729

## CONSOLE AND CONTROL ASSEMBLY

Ref. No.	Part No.	Description	Qty.
1	GDA10083	Console	1
2	19M7785	Bolt, M10x1.5x25 FHCS	5
3	14M7518	Nut, M10x1.5 PTHFN	7
4	D14133	Bolt, 1/4-20x2 HHCS	2
5	D14276	Nut, 1/4-20 SHFM	2
6	GDU10046	Bracket, RH Seat Plate	1
7	GDU10045	Bracket, LH Seat Plate	1
8	19M7867	Bolt, M8x1.25x25 FHCS	4
9	14M7396	Nut, M8x1.25 PTHFN	16
10	GDA10097	Pivot, LH Control	1
11	GDA10098	Pivot, RH Control	1
12	M44508	Bushing, Nylon	4
13	M46676	Washer, Thrust	4
14	GDU10253	Arm, Control	2
15	AA34134	Bearing, Ball	2
16	24M7388	Shim	6
17	03M7195	Bolt, M10x1.5x45 CHCS	2
18	M85516	Nut, M10x1.5 PTHN	2
19	D14011	Bolt, 3/8-16x3/4 HHCS	2
20	GX10707	Spring	2
21	D14125	Screw, Pan Head	2
22	D14263	Nut, 10-24 HHN	4
23	TCA13253	Pivot, Control	1
24	03M7184	Bolt, M8x1.25x20 CHCS	2
25	M78480	Strap, Tie	1
26	GDA10081	Control Lever, RH	1
27	GDA10080	Control Lever, LH	1
28	D18093	Grip, Handle	2
29	03M7185	Bolt, M8x1.25x25 CHCS	8
30	19M7786	Bolt, M10x1.5x30 FHCS	2
31	TCU17400	Rod, Control	2
32	D33002	Swivel, Adjuster	2
33	24M7106	Washer, M10 Flat	8
34	D14107	Pin, Cotter 3/32x1	2
35	TCA14011	Dampener, Control	2
36	GDA10136	Bracket, Dampener	1
37	D14006	Pin, Spring Locking	4
38	D28255	Throttle Control	1
39	D38146	Choke Control	1
40	D14271	Nut, 3/8-24 PTHN	1
41	M63431	Nut, 8-32 PTHN	2
42	D24020	Screw, 8-32x1/2 PPHS	2
43	D28082	R-Clip, Main Wire Harness	2

# OVER THE LAP CONTROL ASSEMBLY



MX15734

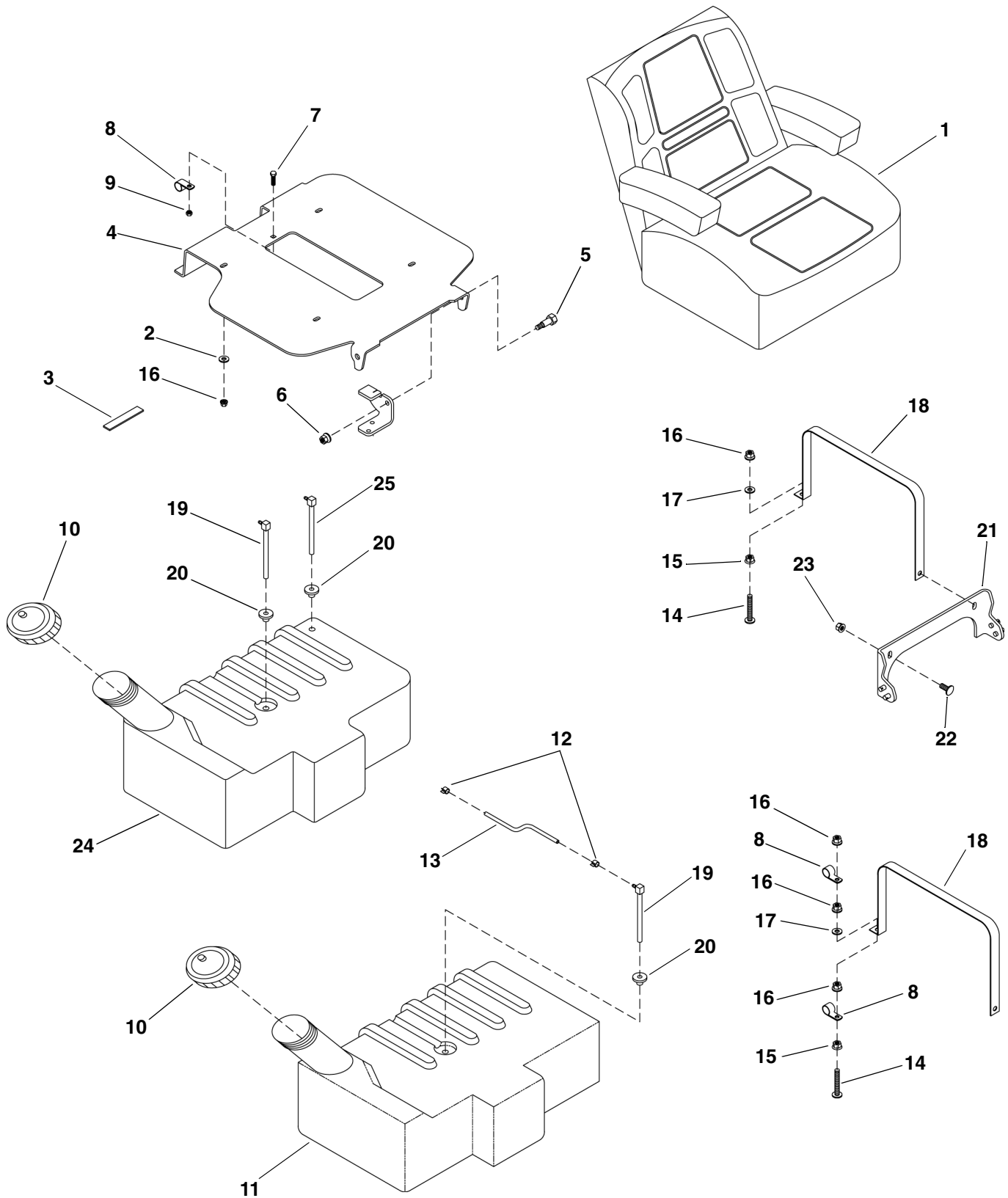


## OVER THE LAP CONTROL ASSEMBLY

Ref. No.	Part No.	Description	Qty.
1	TCU14989	Control Arms	2
2	M131171	Foam Grip	2
3	GDU10047	Spacer	2
4	19M8320	Bolt, M10x1.5x45 FHCS	4
5	14M7518	Nut, M10x1.5 PTHFN	4
6	03M7195	Bolt, M10x1.5x45 CHCS	2
7	M85516	Nut, M10x1.5 Nylon	2
8	TCU13271	Arm, Control	2
9	GDU10275	Cover	1
10	37M7059	Nut, M5x12 HHFST	3

### NOTES

# SEAT AND FUEL TANK



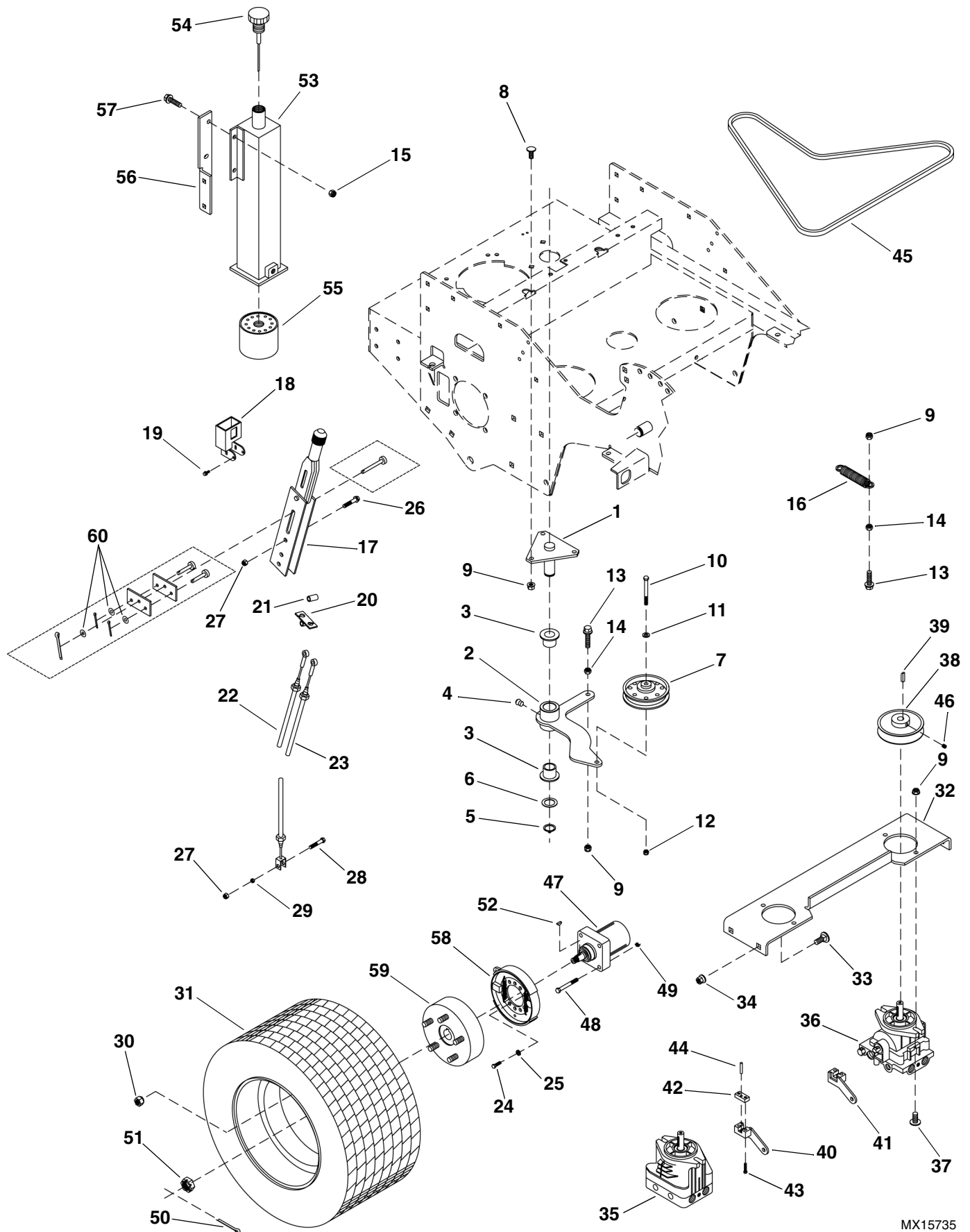
MX15733

## SEAT AND FUEL TANK

Ref. No.	Part No.	Description	Qty.
1	D28183	Seat, Chariot	1
1	D28226	Seat, Chariot LX	1
2	D24033	Washer, 5/16 Flat	4
* 3	TCU17356	Foam Strip, 1/8x3/4 (Cut to Length)	1
4	GDU10174	Seat Plate	1
5	M110977	Bolt, Shoulder, 1/2x3/8-16	2
6	D24013	Nut, 3/8-16 PTHN	2
7	03M7184	Bolt, M8x1.25x20 CHCS	1
8	D28082	R-Clip	3
9	14M7396	Nut, M8x1.25	1
10	D18097	Cap, Fuel Tank	1
11	GDA10012	Fuel Tank (All Except KOHLER EFI)	1
12	D14103	Clamp, Fuel Line Hose	2
** 13	M88753	Hose, SAE J30R7 (Non KOHLER EFI Only)	1
14	D14235	Bolt, 5/16-18x2-1/2 CHCS	2
15	D14205	Nut, 5/16-18 PTHFN	2
16	D14081	Nut, 5/16-18 PTHN	8
17	24H1776	Washer, SAE 5/16 Flat	2
18	GDU10028	Strap, Fuel Tank	2
19	D28039	Fuel Pick-Up (All Models)	1
20	D18144	Grommet, Fuel Pick-Up	1
20	D18144	Grommet, Fuel Return (KOHLER EFI Only)	2
21	GDA10136	Bracket, Dampener	1
22	19M7786	Bolt, M10x1.5x30 HHCS	2
23	14M7518	Nut, M10x1.5 PTHFN	2
24	GDA10154	Fuel Tank (KOHLER EFI Only)	1
25	D28039	Fuel Return (KOHLER EFI Only)	1
<p>* <b>NOTE 1:</b> Self adhesive foam is sold in 25' bulk lengths – P/N TCU17356. Cut to length for service as needed.</p> <p>** <b>NOTE 2:</b> Fuel line hose is sold in 10' bulk lengths – P/N M88753. Cut to length for service as needed. <b>Note:</b> SAE 30R7 hose is for non-EFI use only – see Page 37 for correct fuel injected fuel line.</p>			

## NOTES

# TRACTION DRIVE AND BRAKES



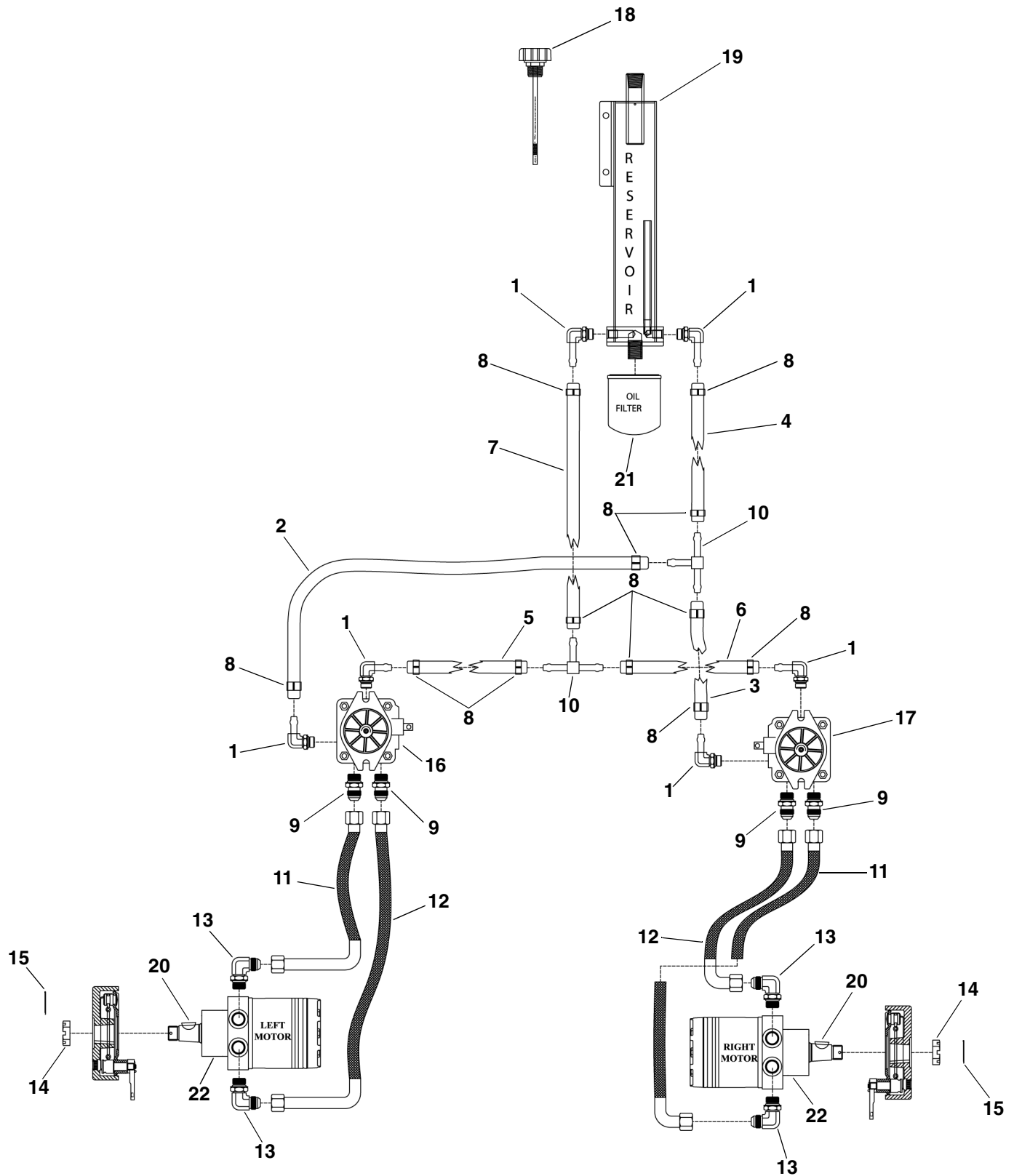
MX15735

## TRACTION DRIVE AND BRAKES

Ref. No.	Part No.	Description	Qty.
1	GDA10036	Pivot, Idler Mounting	1
2	D25059	Arm, Idler	1
3	D18076	Bushing, Idler Arm	2
4	D18205	Grease Zerk	1
5	D14104	Snap Ring	1
6	24H1441	Machine Bushing, 1"	1
7	GDA10032	Pulley, Idler	1
8	03M7191	Bolt, M10x1.5x25 CHCS	3
9	14M7518	Nut, M10x1.5 PTHFN	9
10	D14017	Bolt, 3/8-16x2 HHCS	1
11	D14046	Washer	1
12	D14010	Nut, 3/8-16 PTHN	1
13	19M8162	Bolt, M10x1.5x40 FHCS	2
14	14M7152	Nut, M10x1.5 PTHFN	2
15	14M7517	Nut, M10x1.5 PTHN	2
16	D18071	Spring, Idler	1
17	D28019	Lever, Brake	1
18	GDA10096	Bracket, Switch Mount	1
19	37M7059	Bolt, M5x12 RFHS	4
20	D25014	Retainer, Brake Cable	1
21	D23062	Bushing	2
22	D28099	Cable, RH Brake	1
23	D28100	Cable, LH Brake	1
24	19H2705	Bolt, 5/16-18x1 HHCS	8
25	12H303	Washer, 5/16 Lock	8
26	19M8319	Bolt, M8x1.25x50 FHCS	3
27	H137328	Nut, M8x1.25 PTHFN	5
28	19M8008	Bolt, M8x1.25x35 HHCS	2
29	14M7151	Nut, M8x1.25 HN	2
30	D14192	Nut, Lug 1/2-20	10
31	D28154	Rear Wheel Assembly (Chariot)	2
	D28261	Rear Wheel Assembly (Chariot LX)	2
32	GDU10096	Support, Hydrostatic Pump	1
33	03M7199	Bolt, M12x1.75x35 CHCS	4
34	H137329	Nut, M12x1.75 PTHFN	4
35	D28228	Pump, RH Hydrostatic	1
36	D28227	Pump, LH Hydrostatic	1
37	03M7192	Bolt, M10x1.5x30 CHCS	4
38	D18043	Pulley, Hydro Pump	2
39	D18067	Key, Pump Pulley	2
40	D25146	Arm, RH Pump	1
41	D25147	Arm, LH Pump	1
42	D13336	Plate	2
43	19H2975	Bolt, 1/4-28 HHCS	4
44	D14281	Roll Pin, 5x30	2
45	D28125	Belt, Pump Drive	1
46	22H898	Screw, HIS	2
47	GDA10100	Motor, Wheel	2
48	D14059	Bolt, 1/2-13x2-1/2 HHCS	8
49	D24014	Nut, 1/2-13 PTHN	8
* 50	D14074	Pin, Cotter 1/8x1-3/4	2
* 51	D28143	Nut, 1-20 CHHN	2
52	D18207	Key, Woodruff 5/16x1	2
53	GDA10053	Reservoir, Hydro	1
54	GDA10022	Cap, Hydro Reservoir	1
55	GDA10137	Oil Filter, Hydro Drive	1
56	GDU10184	Bracket, Reservoir Mount	1
57	19M7785	Bolt, M10x1.5x25 FHCS	2
58	D28089	Brake Shoe	2
59	D28088	Drum, Brake	2
60	24H1776	Washer, 5/16 Flat	3

\* **NOTE:** May substitute Patch Loc Nut P/N MT2119.

# HYDROSTATIC DRIVE SYSTEM COMPONENTS



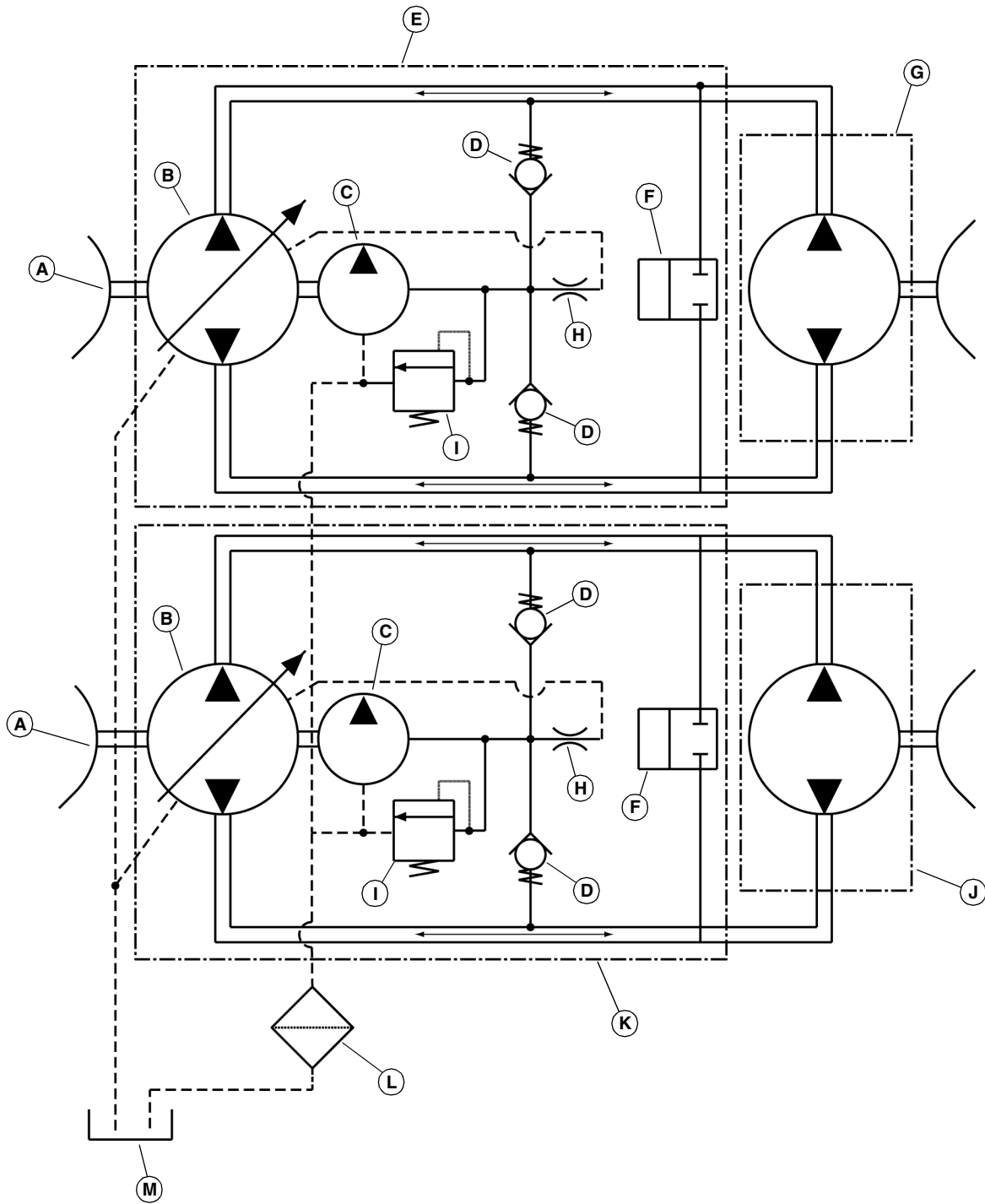
MX15725

## HYDROSTATIC DRIVE SYSTEM COMPONENTS

Ref. No.	Part No.	Description	Qty.
1	D24028	Fitting, 90 Degree w/O-Ring (Short Beaded Tube)	6
* 2	TY22503	Hose (21"), Case Return	As Req.
* 3	TY22503	Hose (5"), Case Return	As Req.
* 4	TY22503	Hose (11-1/4"), Case Return	As Req.
* 5	TY22503	Hose (11-1/4"), Charge Inlet	As Req.
* 6	TY22503	Hose (5"), Charge Inlet	As Req.
* 7	TY22503	Hose (29"), Charge Inlet	As Req.
8	D18379	Clamp, Hose	12
9	D14197	Straight Fitting w/O-Ring	4
10	M86863	T-Fitting (Beaded Tube)	2
11	D28026	High Pressure Hose (Short)	2
12	GDA10089	High Pressure Hose (Long)	2
13	D24026	Fitting, 90 Degree w/O-Ring	4
** 14	D28143	Nut, Castle 1-20 / Wheel Motor	2
** 15	D14074	Pin, Cotter 1/8x1 / Wheel Motor	2
16	D28227	Pump, Hydrostatic LH / BDP-10A-101	1
17	D28228	Pump, Hydrostatic RH / BDP-10A-203	1
	D19000	Seal Kit for D28227 and D28228 Pumps	
18	GDA10022	Cap, Vented Reservoir w/Dip Stick	1
19	GDA10053	Reservoir, Hydrostatic Oil	1
20	D18207	Key, Wheel Motor Axle / Hub, Woodruff 5/16x1	2
21	GDA10137	Filter, Hydrostatic Oil	1
22	GDA10100	Wheel Motors, LH and RH (TF0240LS080Aafb)	2
	AZ45116	Seal Kit for GDA10100 Wheel Motor	
23	M78480	Tie Strap, Plastic (Low Pressure Hose Tie Up) (Not Shown)	4
<p>* <b>NOTE 1:</b> Low pressure case return and charge inlet hose lengths are for installation reference only – sold in bulk (3.3m) under P/N TY22503.</p> <p>** <b>NOTE 2:</b> May substitute Patch Loc Nut P/N MT2119.</p>			

## NOTES

# HYDRAULIC SYSTEM SCHEMATIC



MX15333

- |   |                                |
|---|--------------------------------|
| <b>A - Control Input Shaft</b>              | <b>H - Cooling Orifice</b>     |
| <b>B - Pump Block</b>                       | <b>I - Charge Relief Valve</b> |
| <b>C - Charge Pump</b>                      | <b>J - Left Wheel Motor</b>    |
| <b>D - Charge System Check Valve</b>        | <b>K - Left Hydraulic Pump</b> |
| <b>E - Right Hydraulic Pump</b>             | <b>L - Oil Filter</b>          |
| <b>F - Manual Bypass (Free-Wheel) Valve</b> | <b>M - Hydraulic Reservoir</b> |
| <b>G - Right Wheel Motor</b>                |                                |

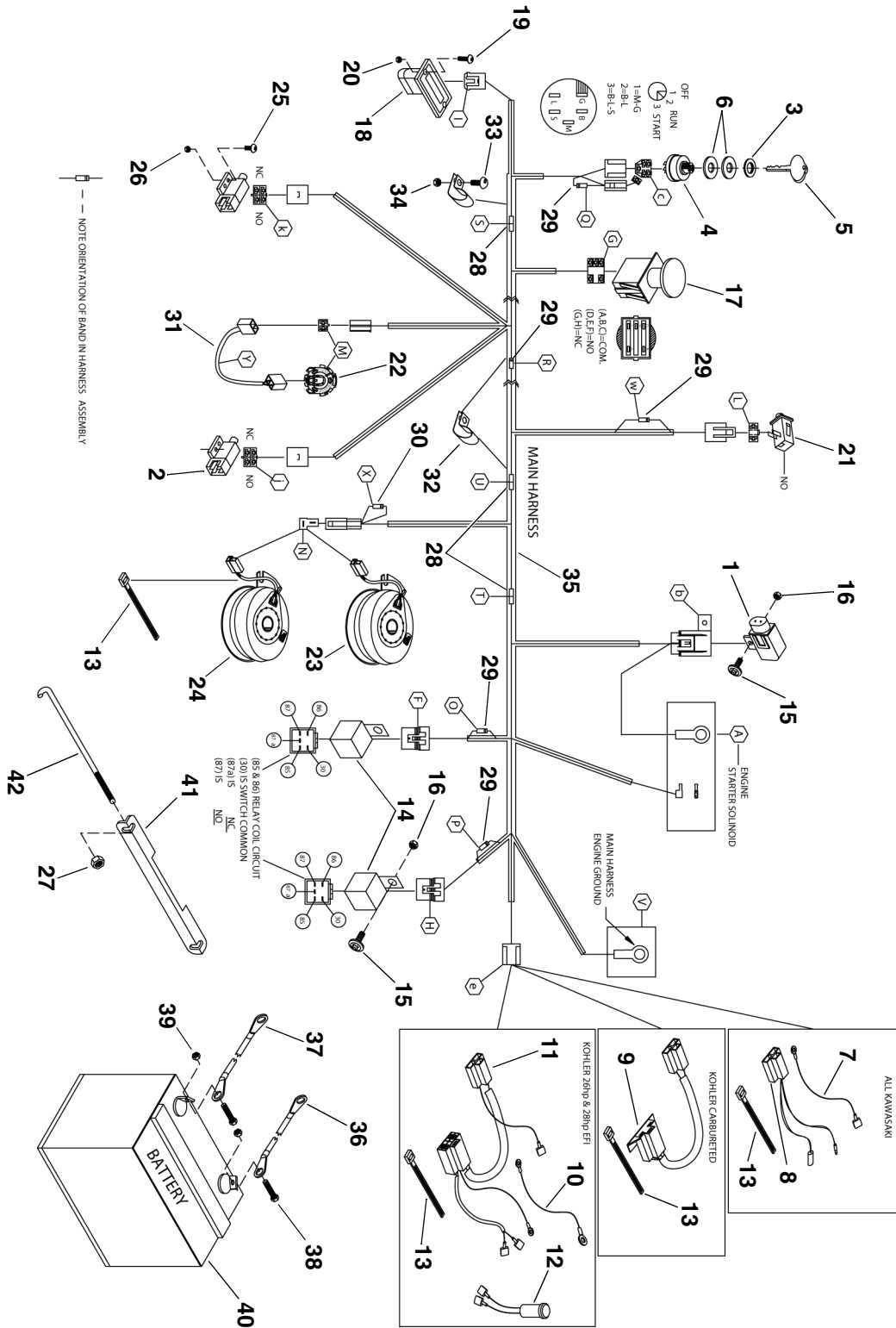


# NOTES

---

---

# ELECTRICAL AND RELATED COMPONENTS



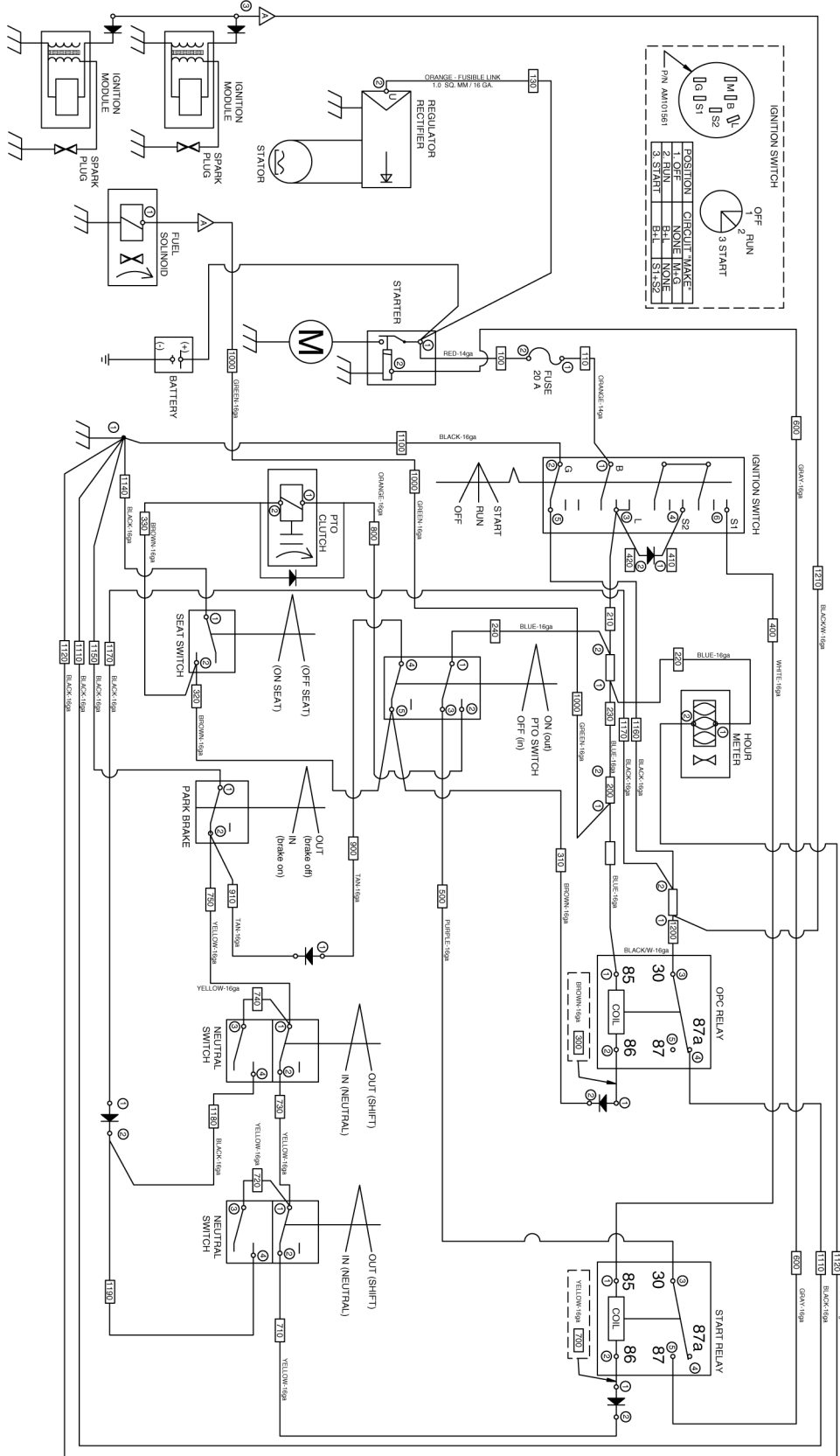
MX15730

## ELECTRICAL AND RELATED COMPONENTS

Ref. No.	Ref. Loc.	Part No.	Description	Qty.
1	B	57M7120	Fuse, 20 AMP	1
2	K, J	D18334	Switch, Neutral	2
3	C	M110159	Nut, Ignition Switch	1
4	C	AM101561	Switch, Ignition	1
5	C	TCU17401	Key, Ignition Switch	1
6	C	24M7349	Washer, Spacer	2
7	E	GDA10060	Fuse Link, KAWASAKI	1
8	E	GDA10055	Pig Tail, KAWASAKI	1
9	E	GDA10109	Pig Tail, Carbureted KOHLER	1
10	E	GDA10110	Ground Wire, Fuel Pump	1
11	E	GDA10108	Pig Tail, EFI KOHLER	1
12	E	D28249	Test Lite, EFI KOHLER	1
13	E	M78480	Strap, Plastic Tie	3
14	B, F, H	AM123716	Relay	2
15	B, F, H	21M7246	Screw, Relay Bracket M6x1.0x16	3
16	B, F, H	14M7397	Nut, Relay Bracket M6x1.0	3
17	G	AM118802	Switch, Blade Engagement	1
18	I	AM129887	Hour Meter	1
19	I	D14304	Screw, Hour Meter 6-32x3/4	2
20	I	D14305	Nut, Hour Meter 6-32	2
21	L	D38001	Switch, Park Brake	1
22	M	D28055	Switch, Seat (Deluxe Only)	1
23	N	GDA10017	Clutch, 1" Hub 5219-4	1
24	N	GDA10122	Clutch, 1.125" Hub 5218-36	1
25	K, J	D14288	Screw, Neutral Switch 8-32x3/4	4
26	K, J	M63431	Nut, Neutral Switch 8-32	4
27		H122207	Nut, Hold Down Bracket	2
28	S, T & U	N/S	Crimp, Main Harness	3
29	O, P, Q, R, W	AM101006	Diode (1000V-3AMP)	5
* 30	X	TCU17832	Diode (400V-6AMP)	1
31	Y	D38018	Pig Tail, LX Deluxe Seat Only	1
32		D28082	R-Clamp	3
33		03M7184	Bolt, R-Clamp M8x1.25x20	2
34		14M7396	Nut, R-Clamp M8x1.25	2
35		GDA10037	Harness, Main Chassis	1
36		D28118	Cable, Positive Battery w/Boot	1
37		D28119	Cable, Negative Battery w/Boot	1
38		03M7184	Bolt, Battery Cable M8x1.25x20	2
39		14M7396	Nut, Battery Cable M8x1.25	2
40		AM124356	Battery	1
41		GDU10204	Bracket, Battery Hold Down	1
42		D23047	J-Bolt, Hold Down Bracket	2
43		M136530	Tie Strap, 37", KOHLER EFI ECU (Not Shown)	1
44		14M7396	Nut, Main Starter, KAWASAKI (Not Shown)	1

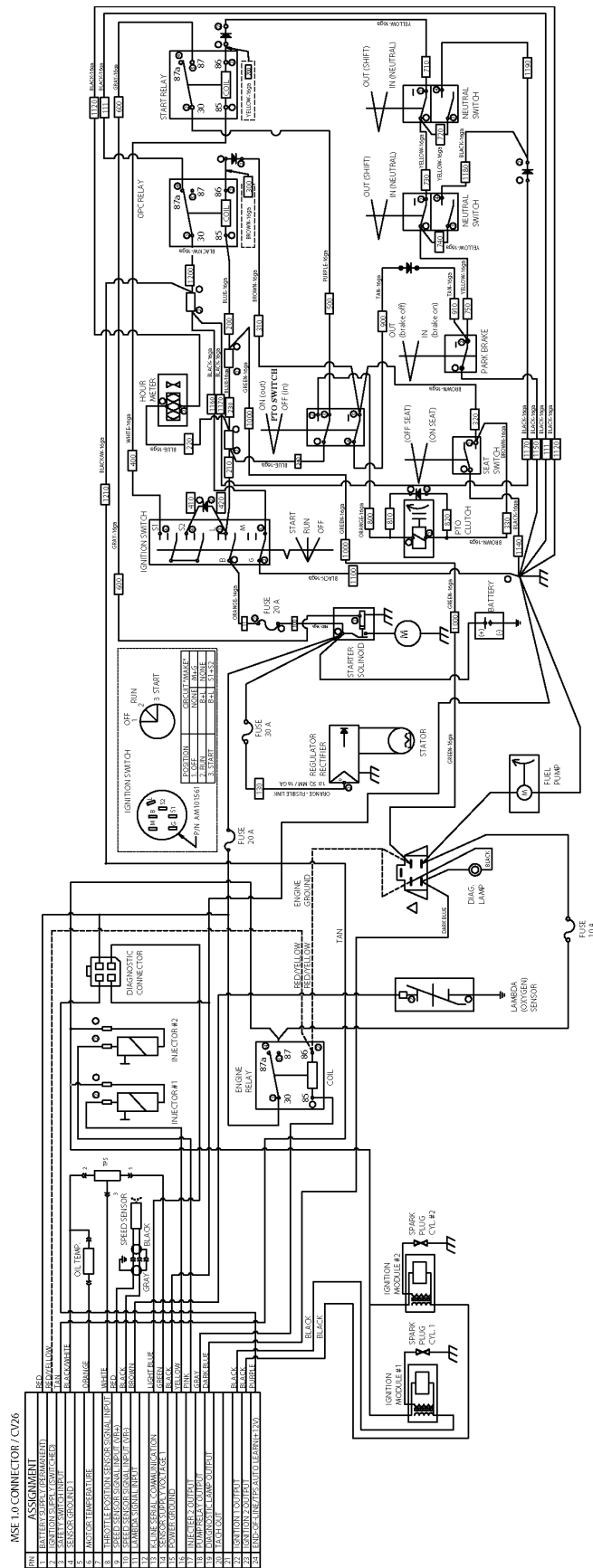
\* **NOTE:** Do not interchange item No. 29 with 400V-6AMP Diode.

# WIRING SCHEMATIC – CARBURETED ENGINES

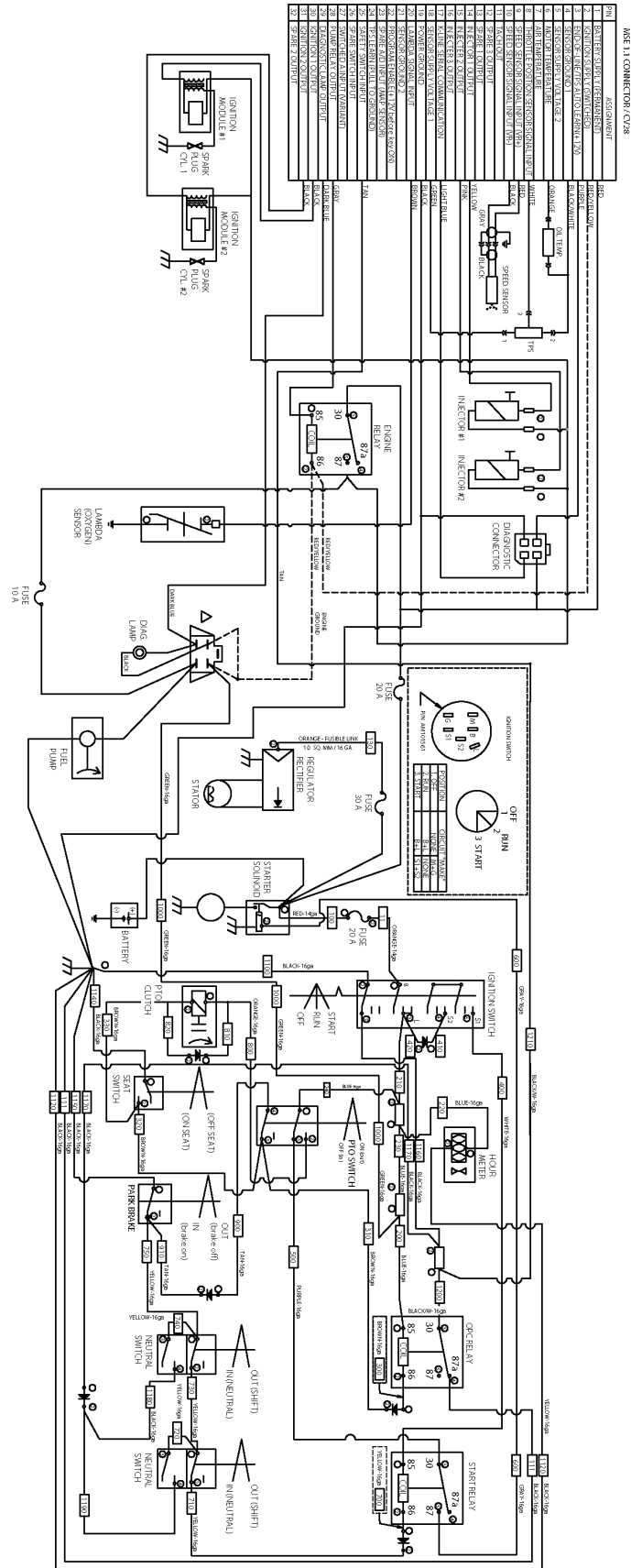


MX15338

# WIRING SCHEMATIC – 26HP FUEL INJECTED ENGINE



# WIRING SCHEMATIC – 28HP FUEL INJECTED ENGINE



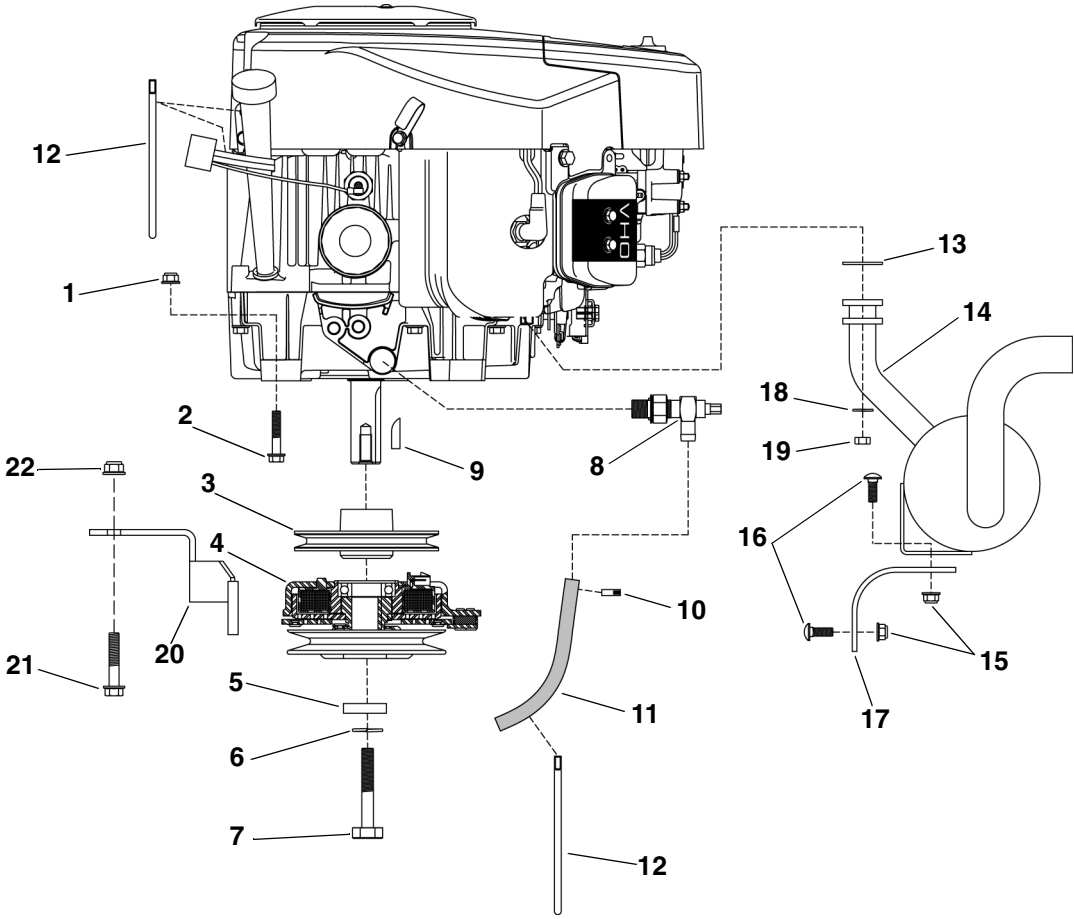
MX15356

# NOTES

---

---

# ENGINE AND RELATED COMPONENTS – KAWASAKI



MX15722



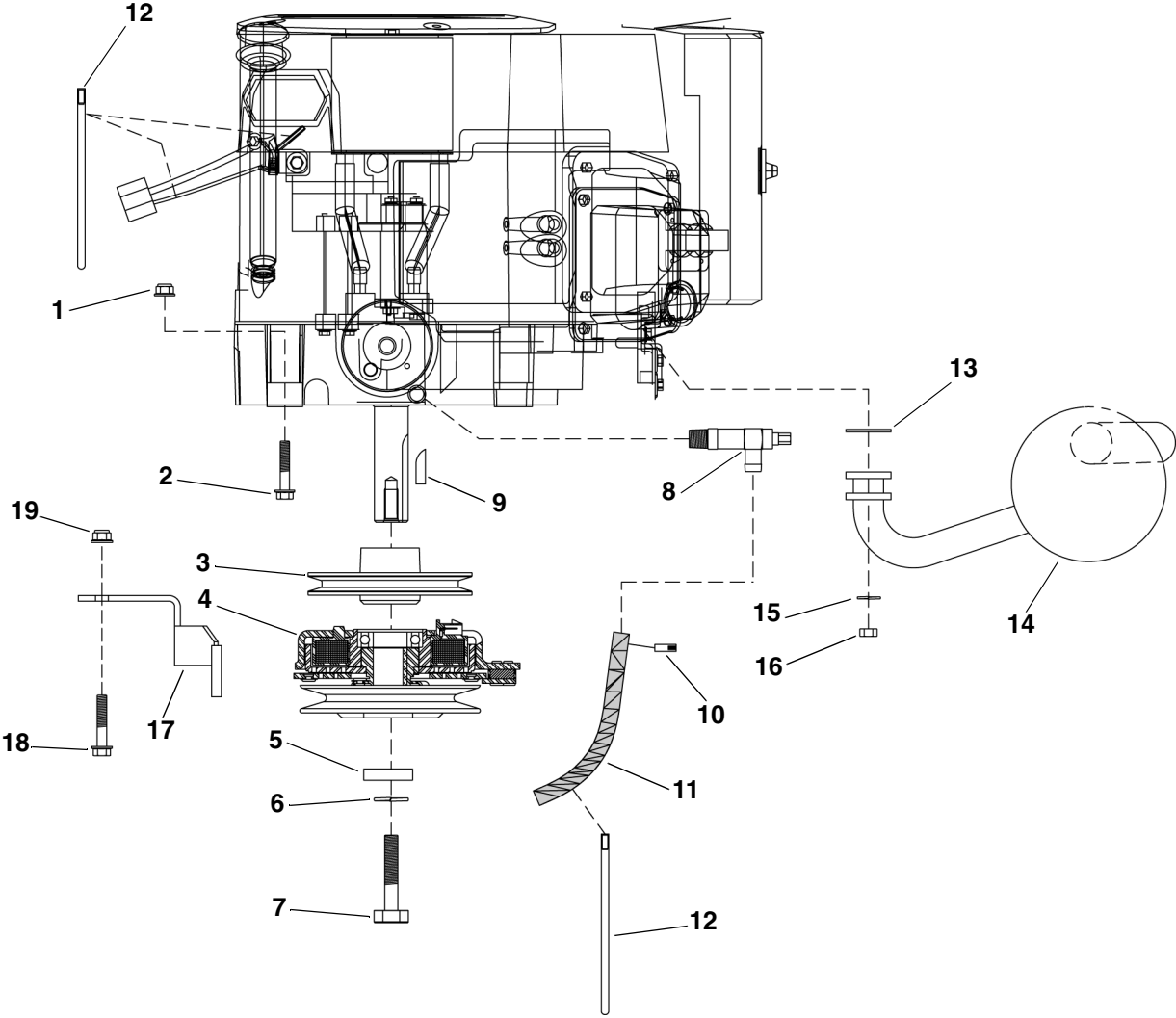
# ENGINE AND RELATED COMPONENTS – KAWASAKI

Ref. No.	Part No.	Description	Qty.
*	GDA10119	Engine 17hp / KAWASAKI FH500V-AS19 (see note)	
*	AM132634	Engine 19hp / KAWASAKI FH601V-BS17 (see note)	
*	AM132635	Engine 23hp / KAWASAKI FH680V-BS16 (see note)	
*	GDA10120	Engine 25hp / KAWASAKI FH721V-AS18 (see note)	
1	14M7396	Nut, M8x1.25x10 PTFN	4
2	19M8317	Bolt, M8x1.25x40 HHFS	4
3	D28091	Pulley, Engine-to-Pump	1
4	GDA10017	Mag-Stop Electric Clutch	1
5	D18056	Spacer	1
6	D14208	Washer, 7/16 Split Lock	1
7	D24023	Bolt, 7/16-20x3 HHCS	1
8	TCA12370	Fitting, Oil Drain	1
9	D18145	Shaft Key	1
10	D18379	Clamp, Hose	1
11	M76926	Hose, Oil Drain	1
12	M78480	Strap, Tie	2
13	M136651	Exhaust Gasket, 19, 23 and 25hp	2
13	M135790	Exhaust Gasket, 17hp	2
14	GDA10128	Exhaust/Muffler, 17hp	1
14	TCA14018	Exhaust/Muffler, 19, 23 and 25hp	1
15	H137328	Loc Nut, M8x1.25 PTFN	2
16	03M7184	Carriage Bolt, M8x1.25x20 CHCS	2
17	D22236	Bracket, Muffler	1
18	12M7065	Washer, 8x14x2 Split Lock	4
19	14M7273	Nut, M8x1.25 HHN	4
20	GDA10116	Bracket, Clutch	1
21	03M7017	Bolt, M10x1.5x25 CHCS	2
22	14M7518	Nut, M10x1.5 PTFHN	2

\* **NOTE:** See authorized KAWASAKI servicing engine dealer for engine related service items.

## NOTES

# ENGINE AND RELATED COMPONENTS – KOHLER 25HP



MX15723

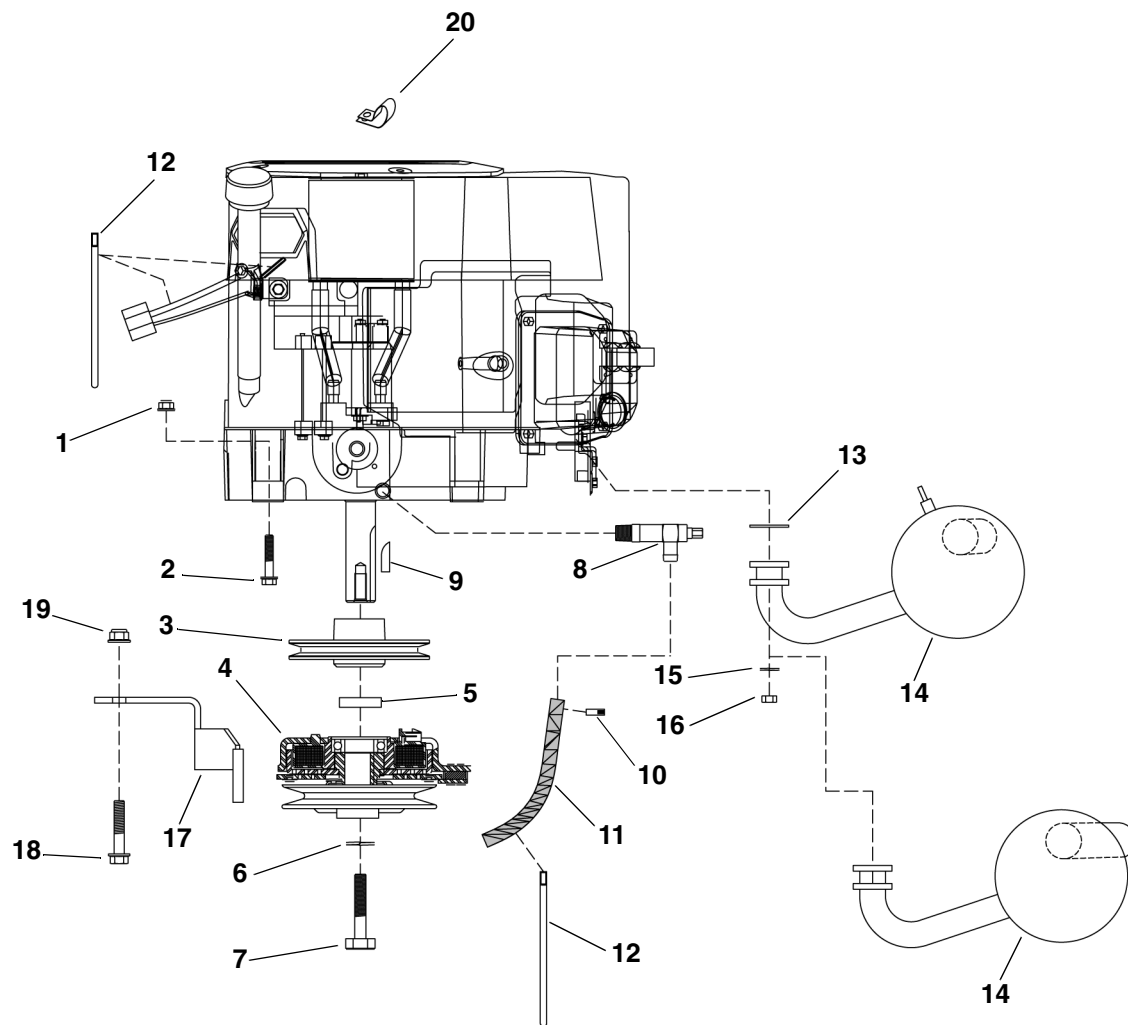
## ENGINE AND RELATED COMPONENTS – KOHLER 25HP

Ref. No.	Part No.	Description	Qty.
*	GDA10061	Engine, 25hp / KOHLER PS-CV730-0008 (see note)	1
1	14M7396	Nut, M8x1.25x10 PTFN	4
2	19M8317	Bolt, M8x1.25x40 HHFS	4
3	D28091	Pulley, Engine-to-Pump	1
4	GDA10017	Mag-Stop Electric Clutch	1
5	D18056	Spacer	1
6	D14208	Washer, 7/16 Split Lock	1
7	D24022	Bolt, 7/16-20x2-1/2 HHCS	1
8	GDA10121	Fitting, Oil Drain	1
9	D18145	Shaft Key	1
10	D18379	Clamp, Hose	1
11	M76926	Hose, Oil Drain	1
12	M78480	Strap, Tie	2
13	M132446	Gasket, Exhaust	2
14	D28121	Exhaust/Muffler, 25hp	1
15	12M7065	Washer, 8x14x2 Split Lock	4
16	14M7273	Nut, M8x1.25 HHN	4
17	GDA10116	Bracket, Clutch	1
18	03M7017	Bolt, M10x1.5x25 CHCS	2
19	14M7518	Nut, M10x1.5 PTFHN	2

\* **NOTE:** See authorized KOHLER servicing engine dealer for engine related service items.

### NOTES

# ENGINE AND RELATED COMPONENTS – KOHLER 26, 27 AND 28HP



MX15724

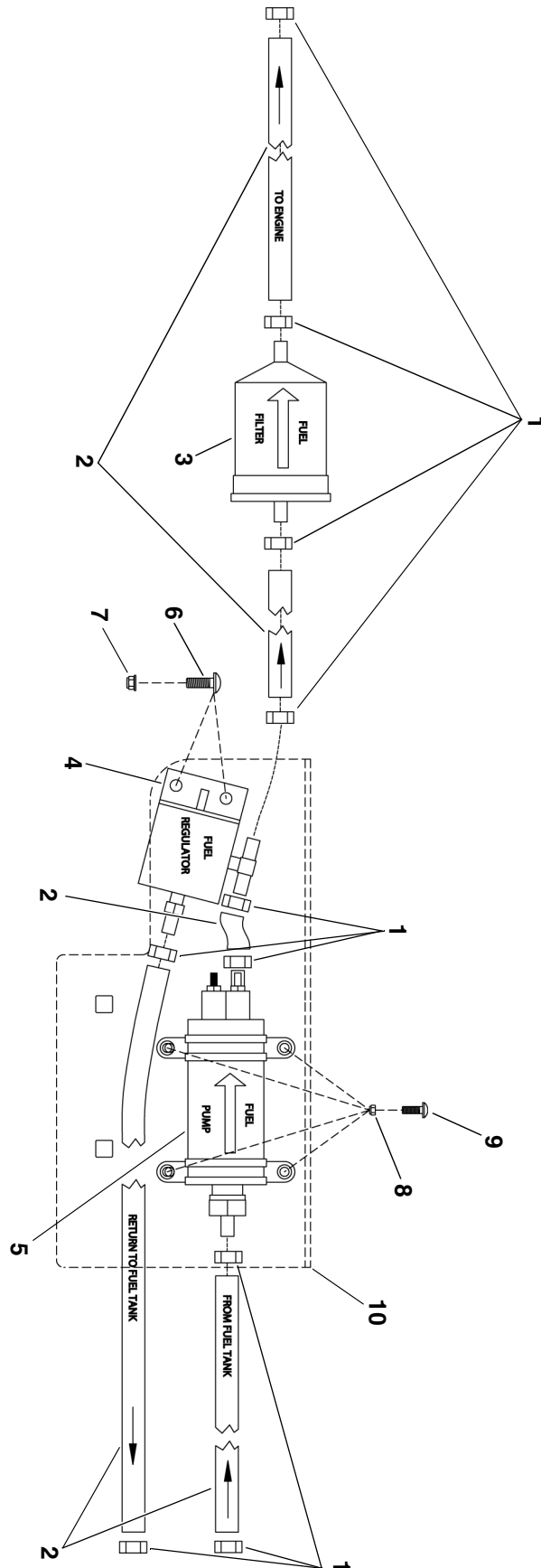
## ENGINE AND RELATED COMPONENTS – KOHLER 26, 27 AND 28HP

Ref. No.	Part No.	Description	Qty.
*	GDA10129	Engine 26hp / KOHLER PS-79512 (see note)	1
*	GDA10062	Engine 27hp / KOHLER PS-CV740-0013 (see note)	1
*	GDA10063	Engine 28hp / KOHLER PS-CV745-0004 (see note)	1
1	14M7396	Nut, M8x1.25x10 PTFN	4
2	19M8317	Bolt, M8x1.25x40 HHFS	4
3	GDU10265	Pulley, Engine-to-Pump	1
4	GDA10122	Mag-Stop Electric Clutch	1
5	GDU10312	Spacer	1
6	D14208	Washer, 7/16 Split Lock	1
7	D24022	Bolt, 7/16-20x2-1/2 HHCS	1
8	GDA10121	Fitting, Oil Drain	1
9	D18145	Shaft Key	1
10	D18379	Clamp, Hose	1
11	M76926	Hose, Oil Drain	1
12	M78480	Strap, Tie	2
13	M132446	Gasket, Exhaust	2
14	D28121	Exhaust/Muffler, 27hp	1
*14	GDA10153	Exhaust/Muffler, 26hp and 28hp (see note)	1
15	12M7065	Washer, 8x14x2 Split Lock	4
16	14M7273	Nut, M8x1.25 HHN	4
17	GDA10116	Bracket, Clutch	1
18	03M7017	Bolt, M10x1.5x25 CHCS	2
19	14M7518	Nut, M10x1.5 PTFHN	2
20	D28082	R-Clip, Fuel Line Hose (EFI Only)	1

**\* NOTE:** See authorized KOHLER servicing engine dealer for engine related service items.

### NOTES

# EFI FUEL DELIVERY SYSTEM COMPONENTS



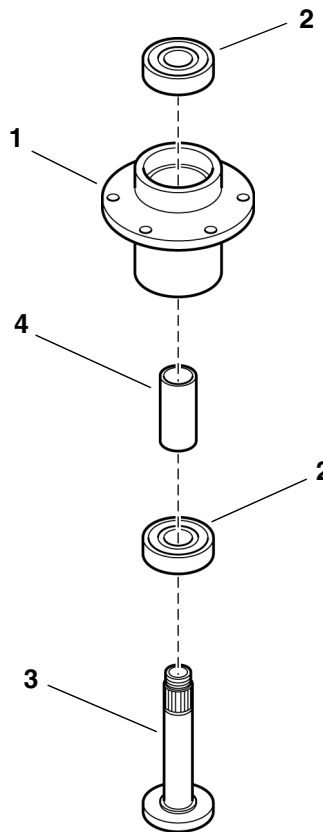
MX15721

## EFI FUEL DELIVERY SYSTEM COMPONENTS

Ref. No.	Part No.	Description	Qty.
1	D18439	Clamp, Fuel Hose	10
2	919-567-6685	Hose, SAE 30R9 5/16" Fuel Line	1
* 3	0-450-905-002	Fuel Filter (see note)	1
* 4	24 403 12-S	Fuel Regulator (see note)	1
* 5	2439320	Fuel Pump (see note)	1
6	21M7246	Bolt, M6x1x16 PPHS	2
7	14M7397	Nut, M6x1 PTHFN	2
8	D14124	Nut, 10-24 Nyloc	4
9	D14233	Bolt, 10-24x3/4 PPHS	4
10	GDU10163	Bracket, Fuel Pump Mounting	1

\* **NOTE:** KOHLER part numbers – see authorized KOHLER engine servicing dealer for engine related service items.

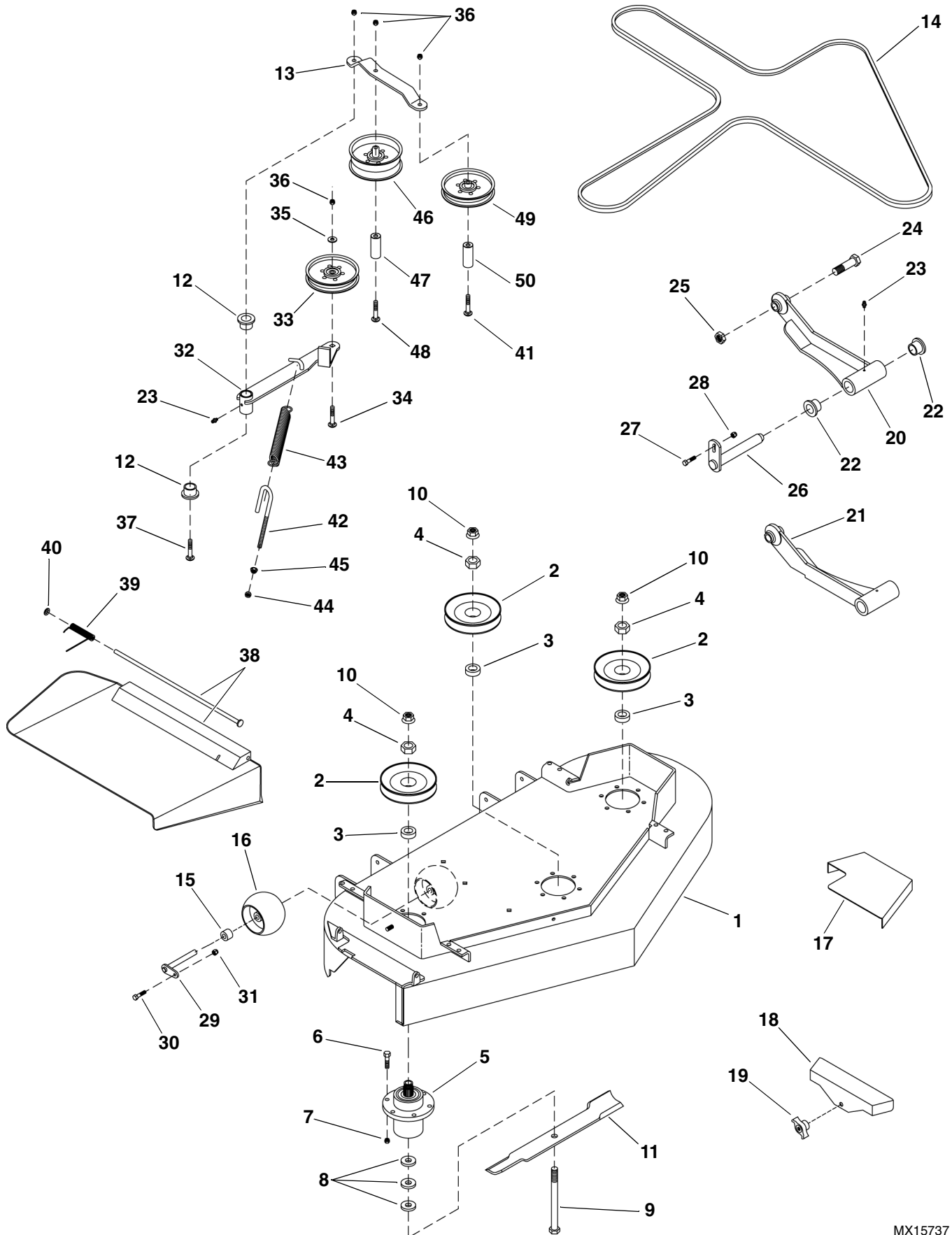
## CUTTER HOUSING ASSEMBLY



MX15739

Ref. No.	Part No.	Description	Qty.
1	D11000	Cutter Housing (with Zerk and Purge Valve)	1
2	D18045	Bearing	2
3	D18048	Spindle Shaft	1
4	D18033	Bearing Spacer	1

# 48" AND 52" CUTTING DECK



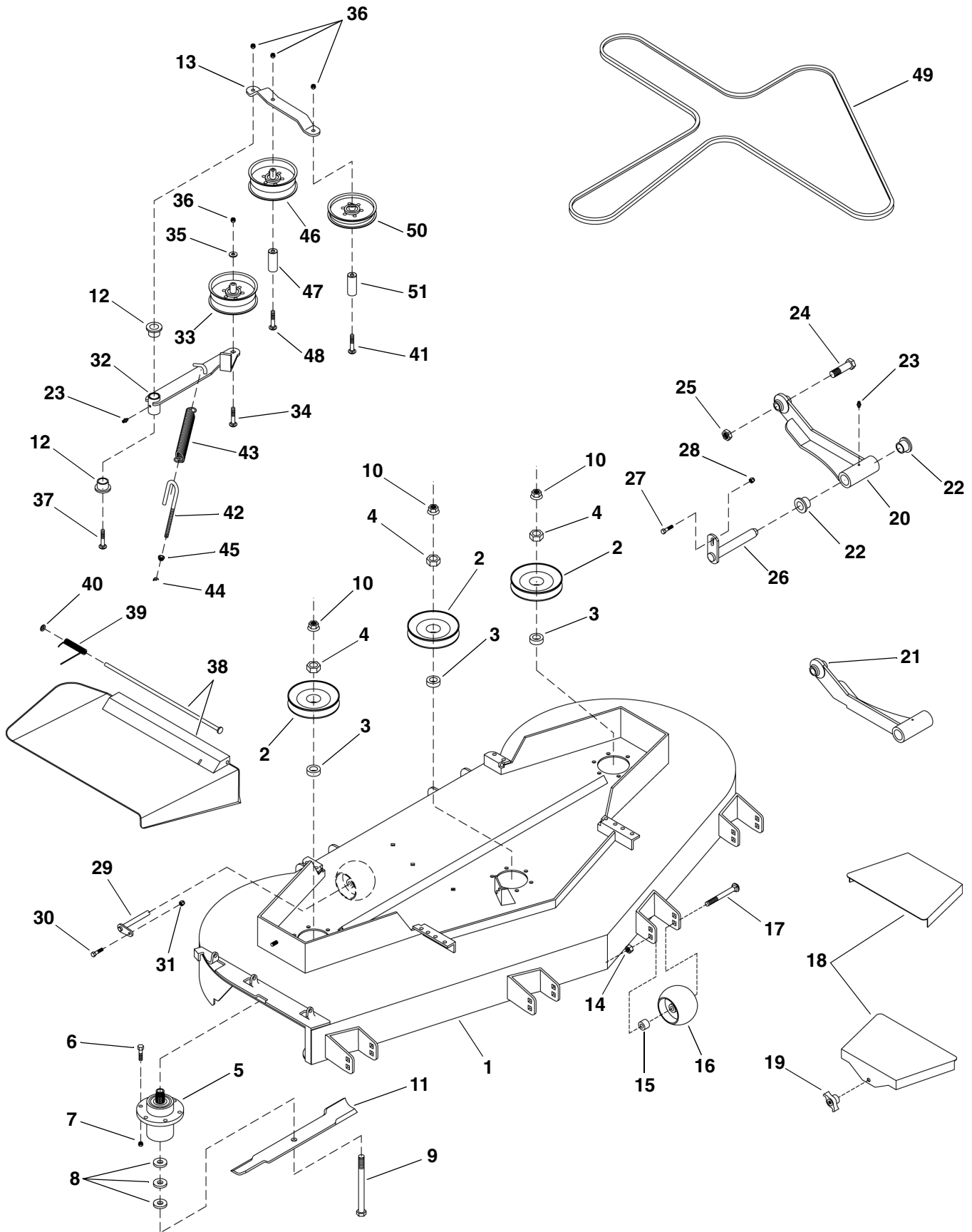
MX15737



## 48" AND 52" CUTTING DECK

Ref. No.	Part No.	Description	Qty.
1	GDA10104	Mower Deck, 48"	1
1	GDA10088	Mower Deck, 52"	1
2	D18209	Pulley, Cutter Housing – 48"	3
2	D18084	Pulley, Cutter Housing – 52"	3
3	D13024	Spacer, Pulley	3
4	D13055	Nut, Pulley (Special)	3
5	D18030	Cutter Housing Assembly	3
6	19M7786	Bolt, M10x1.5x30 HHFCS	18
7	E63526	Nut, M10x1.5 HHSFN	18
8	D18055	Spacer, Blade Bolt	9
9	D14101	Bolt, Blade 5/8-18x7-3/4 HHCS	3
10	D14282	Nut, Blade Bolt 5/8-18 HHN	3
11	GDU10230	Blade, 48" Deck – High Lift (Standard) 16.5"	3
11	GDU10231	Blade, 52" Deck – High Lift (Standard) 18"	3
12	TCU14540	Bushing	2
13	GDU10119	Support Strap	1
14	TCU16092	Belt, Engine-to-Blades – 48"	1
14	TCU16093	Belt, Engine-to-Blades – 52"	1
15	D23024	Spacer, Anti Scalp Roller	2
16	D18070	Roller, Anti Scalp	2
17	GDU10251	Belt Cover, LH 48"	1
17	GDU10249	Belt Cover, LH 52"	1
18	GDU10252	Belt Cover, RH 48"	1
18	GDU10250	Belt Cover, RH 52"	1
19	M119352	Knob, Belt Cover	2
20	GDA10084	Thrust Arm, LH	1
21	GDA10085	Thrust Arm, RH	1
22	D18076	Bushing	4
23	JD7844	Grease Zerk	3
24	D24010	Bolt, 3/4-16x3 HHCS	2
25	D24008	Nut, 3/4-16 PTHN	2
26	TCA13292	Pivot Pin, Thrust Arm	2
27	03M7185	Bolt, 1/4-20x1 CHCS	2
28	14M7396	Nut, 1/4-20	2
29	GDA10103	Pivot, Anti Scalp Roller	2
30	D24006	Bolt, 1/4-20x1 CHCS	2
31	H122207	Nut, 1/4-20 PTFHN	2
32	GDA10070	Arm, Idler Engine-to-Blade	1
33	D18032	Pulley, Flat Tension Idler	1
34	03H1658	Bolt, 3/8-16x2-1/4 CHCS	1
35	D14246	Washer, 3/8 SAE	1
36	D24013	Nut, 3/8-16 PTHN	4
37	03H1836	Bolt, 3/8-16x3-1/2 CHCS	1
38	AM127235	Discharge Chute Assembly	1
39	M132768	Spring, Torsional Discharge Chute	1
40	H141123	Clip, Retainer	1
41	03H2040	Bolt, 3/8-16x4-1/4 CHCS	1
42	D13005	J-Hook, 52" Cutting Deck	1
42	D23058	J-Hook, 48" Cutting Deck	1
43	D28025	Spring, Deck Belt Tension	1
44	D14010	Nut, 3/8-16 PTHN	1
45	D14009	Nut, 3/8-16 PTFHN	1
46	TCA14548	Pulley, Engine-to-Blade Tension Idler	1
47	GDU10180	Spacer, Engine-to-Blade Fixed Idler	1
48	03H1838	Bolt, 3/8-16x5 CHCS	1
49	D28050	Pulley, Flat Blade-to-Blade	1
50	GDU10181	Spacer, Blade-to-Blade Pulley	1

# 61" CUTTING DECK

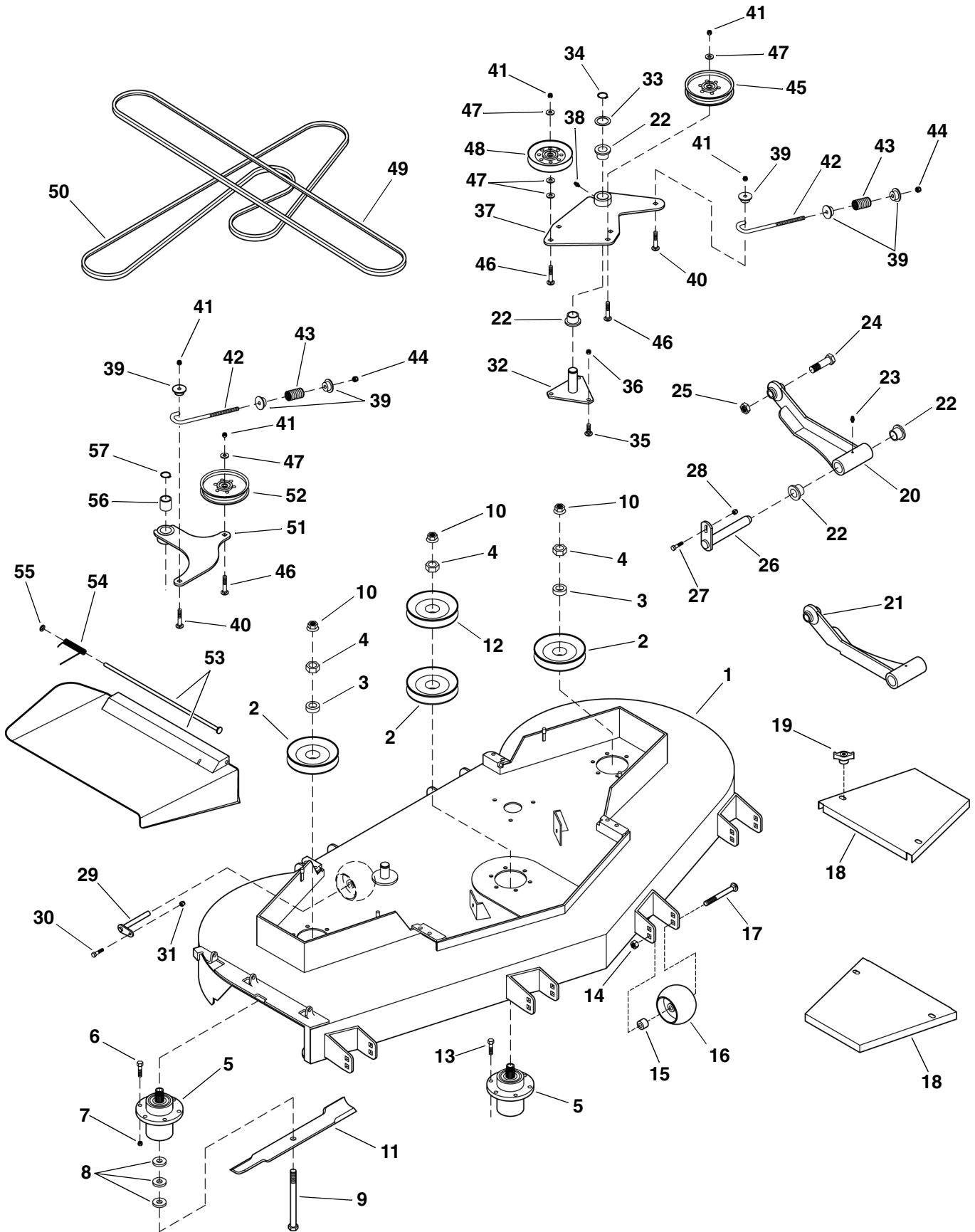


MX15738

## 61" CUTTING DECK

Ref. No.	Part No.	Description	Qty.
1	GDA10077	Mower Deck, 61"	1
2	D18211	Cutter Housing Pulley	3
3	D13024	Pulley Spacer	3
4	D13055	Nut, Pulley (Special)	3
5	D18030	Cutter Housing Assembly	3
6	19M7786	Bolt, M10x1.5x30 HHFCS	18
7	E63526	Nut, M10x1.5 HHSFN	18
8	D18055	Blade Bolt Spacers	9
9	D14101	Bolt, Blade 5/8-18x7-3/4 HHCS	3
10	D14282	Nut, Blade Bolt 5/8-18 HHN	3
11	GDU10232	Blade, High Lift (Standard) 21"	3
12	TCU14540	Bushing	2
13	GDU10119	Support Strap	1
14	E62934	Nut, 1/2-13 PTHN	4
15	D23024	Spacer, Anti Scalp Roller	6
16	D18070	Roller, Anti Scalp	6
17	D24040	Bolt, 1/2-13x4-1/2 CHCS	4
18	GDU10187	Belt Cover	2
19	M119352	Knob, Belt Cover	2
20	GDA10084	Thrust Arm, LH	1
21	GDA10085	Thrust Arm, RH	1
22	D18076	Bushing	4
23	JD7844	Grease Zerk	3
24	D24010	Bolt, 3/4-16x3 HHCS	2
25	D24008	Nut, 3/4-16 PTHN	2
26	TCA13292	Pivot Pin, Thrust Arm	2
27	03M7185	Bolt, 1/4-20x1 CHCS	2
28	14M7396	Nut, 1/4-20	2
29	GDA10103	Pivot, Anti Scalp Roller	2
30	D24006	Bolt, 1/4-20x1 CHCS	2
31	H122207	Nut, 1/4-20 PTFHN	2
32	GDA10070	Arm, Idler Engine-to-Blade	1
33	D18032	Pulley, Flat Tension Idler	1
34	03H1658	Bolt, 3/8-16x2-1/4 CHCS	1
35	D14246	Washer, 3/8 SAE	1
36	D24013	Nut, 3/8-16 PTHN	4
37	03H1836	Bolt, 3/8-16x3-1/2 CHCS	1
38	AM127397	Discharge Chute Assembly	1
39	M132768	Spring, Torsional Discharge Chute	1
40	H141123	Retainer Clip	1
41	03H2040	Bolt, 3/8-16x4-1/4 CHCS	1
42	D23058	J-Hook	1
43	D28025	Spring, Deck Belt Tension	1
44	D14010	Nut, 3/8-16 PTHN	1
45	D14009	Nut, 3/8-16 PTFHN	1
46	TCA14548	Pulley, Engine-to-Blade Tension Idler	1
47	GDU10180	Spacer, Engine-to-Blade Fixed Idler	1
48	03H1838	Bolt, 3/8-16x5 CHCS	1
49	GDU10228	Belt, Engine-to-Blades	1
50	D28050	Pulley, Flat Blade-to-Blade	1
51	GDU10181	Spacer, Blade-to-Blade Pulley	1

# 72" CUTTING DECK

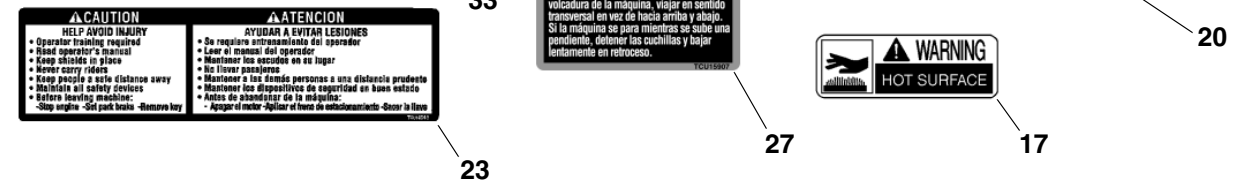
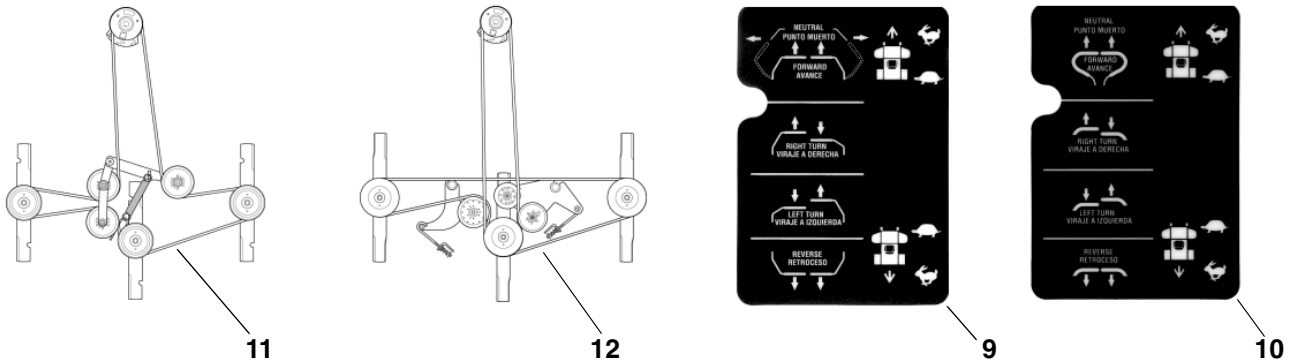
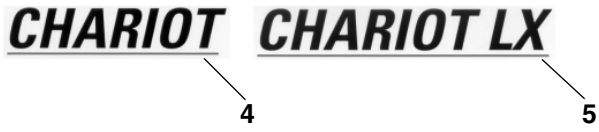
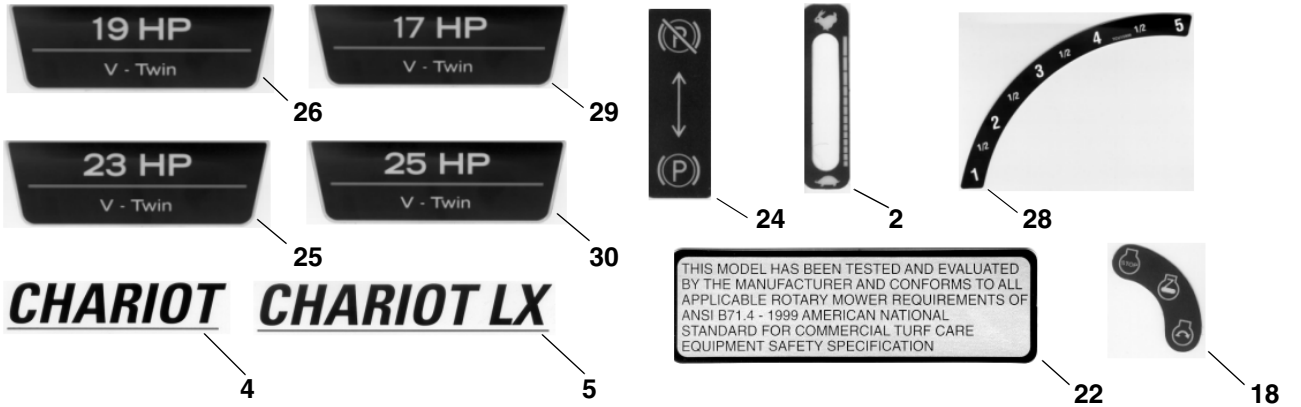
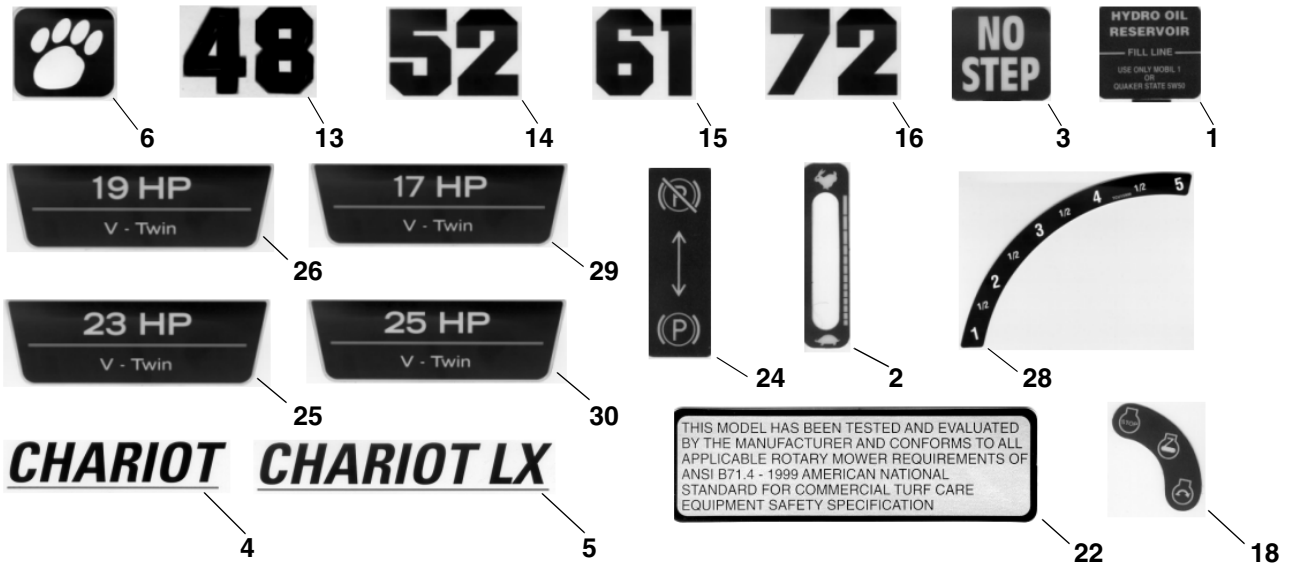


MX15728

## 72" CUTTING DECK

Ref. No.	Part No.	Description	Qty.
1	GDA10112	Mower Deck, 72"	1
2	GDA10124	Pulley, Cutter Housing	3
3	D13024	Spacer, Pulley	2
4	D13055	Nut, 7/8 Pulley	3
5	D18030	Cutter Housing Assembly	3
6	19M7786	Bolt, M10x1.5x30 HHFCS	12
7	E63526	Nut, M10x1.5 HHSFN	18
8	D18055	Washers, Blade Bolt	9
9	D14101	Bolt, 5/8-18x7-1/2 Blade	3
10	D14282	Nut, 5/8-18 Blade Bolt	3
11	GDU10233	Blade, 24-5/8	3
12	GDA10123	Pulley, Center Cutter Housing	1
13	19M8162	Bolt, M10x1.5x40 HHFCS	6
14	E62934	Locknut, 1/2 w/Flange	4
15	D23024	Spacer, Gage Wheel	7
16	D18070	Roller, Gage Wheel	7
17	D24040	Bolt, 1/2-13x4-1/2 CHCS	4
18	GDU10248	Cover, Belt	2
19	M119352	Knob, Locking	4
20	GDA10084	Thrust Arm, LH	1
21	GDA10085	Thrust Arm, RH	1
22	D18076	Bushing	6
23	JD7844	Fitting, Grease	2
24	D24010	Bolt, 3/4-16x3 HHCS	2
25	D24008	Nut, 3/4-16 Cone Loc	2
26	TCA13292	Pin, Deck Thrust Arm	2
27	03M7185	Bolt, M8x1.25x25 CHCS	2
28	14M7396	Nut, M8 Nyloc	2
29	GDA10103	Pivot, Retainer Weld	3
30	D24006	Bolt, 1/4-20x1 CHCS	3
31	H122207	Nut, 1/4-20 Nyloc	3
32	GDA10036	Pivot, Idler Mount Weldment	1
33	24H1441	Bushing, Machined	1
34	D14104	Ring, Retaining	2
35	19M7785	Bolt, M10x1.5x25 HFCS	3
36	14M7518	Nut, M10x1.5 PTHFN	3
37	GDA10126	Arm, Engine-to-Blade Tension Idler	1
38	D18205	Fitting, Zerk	1
39	D33062	Keeper, Spring	6
40	D14239	Bolt, 3/8-16x1-1/4 CHCS	2
41	D24013	Nut, 3/8-16 Cone Loc	5
42	D23040	J-Hook	2
43	D38128	Spring, Compression	2
44	D14010	Nut, 3/8-16 Nyloc	2
45	D28050	Pulley, Engine-to-Blade Tension Idler	1
46	03H1833	Bolt, 3/8-16x1-3/4 CHCS	3
47	D14246	Washer, 3/8 Flat	5
48	D18031	Pulley, Engine-to-Blade V-Idler	1
49	GDU10229	Belt, Engine-to-Blade	1
50	D28028	Belt, Blade-to-Blade	1
51	GDA10127	Arm, Blade-to-Blade Tension Idler	1
52	GDA10125	Pulley, Blade-to-Blade Tension Idler	1
53	AM127397	Discharge Chute Assembly, 72" Deck	1
54	M132768	Spring, Torsion	1
55	H141123	Clip, Retainer	1
56	W10728	Bearing	1
57	R58806	E-Ring, Retainer	1

# DECALS



MX15736

## DECALS

Ref. No.	Part No.	Description	Qty.
1	D18023	Hydro Oil Specs.	1
2	D28167	Throttle, Console	1
3	D28181	No Step	2
4	GDU10254	Chariot	2
5	GDU10255	Chariot LX	2
6	GDU10256	Puppy Paw	2
7	GDU10257	Great Dane (Black)	1
8	GDU10258	Great Dane (White)	1
9	GDU10259	Motion Control, Console, OTL Kit	1
10	GDU10260	Motion Control, Console	1
11	GDU10262	Belt Path, 48"-52"-61" Deck	1
12	GDU10263	Belt Path, 72" Deck	1
13	GDU10267	48"	1
14	GDU10268	52"	1
15	GDU10269	61"	1
16	GDU10270	72"	1
17	M117554	Warning, Hot Surfaces	2
18	M127610	Label, Ignition	1
19	M131739	Danger, Blade Contact, 48"-52"-61" Cutting Deck	2
19	M131739	Danger, Blade Contact, 72" Cutting Deck	3
20	M131748	Danger, Thrown Objects	1
21	M137637	Discharge	1
22	M143748	Compliance	1
23	TCU14840	General Caution	1
24	TCU14862	Park Brake Direction	1
25	TCU15905	23hp KAWASAKI	1
26	TCU15906	19hp KAWASAKI	1
27	TCU15907	Warning, Slope	1
28	TCU15908	Cut Height	1
29	TCU17402	17hp KAWASAKI	1
30	TCU17403	25hp KAWASAKI	1
31	TCU51051	Danger, Rotating Belts	1
32	TCU51336	Danger, Child	1
33	TCU14885	Danger, Explosive Gases/Poison	1

# NOTES

---

---